

# KNOTWOOD - GENERIC CLADDING & SOFFIT SHOP DRAWINGS

**PROPERTY MANAGER:**  
 PER ARCHITECT / ENGINEER

**DESIGN ENGINEER:**  
**PVE, LLC**  
 2000 GEORGETOWN DRIVE, SUITE 101  
 SEWICKLEY, PA 15143

DRAWING LIST		LATEST REVISION	DATE
T-100	- TITLE SHEET		
G-100	- GENERAL NOTES		
A-100	- HORIZONTAL CLADDING PLAN & ELEVATION		
A-101a	- HORIZONTAL CLADDING WOOD FRAMING		
A-101b	- HORIZONTAL CLADDING LIGHT GAUGE FRAMING		
A-101c	- HORIZONTAL CLADDING CMU WALL DETAILS		
A-101d	- HORIZONTAL CLADDING FURRING DETAILS		
A-101e	- HORIZONTAL CLADDING TO SHEATHING DETAILS		
A-200	- VERTICAL CLADDING PLAN & ELEVATIONS		
A-201a	- VERTICAL CLADDING METAL FURRING DETAILS		
A-201b	- VERTICAL CLADDING CMU DETAILS		
A-300	- PARALLEL SOFFIT PLAN VIEW		
A-301	- PARALLEL SOFFIT TYPICAL DETAILS		
A-400	- PERPENDICULAR SOFFIT PLAN VIEW		
A-401	- PERPENDICULAR SOFFIT TYPICAL DETAILS		

PREPARED FOR:  
  
 Stunning Aluminum  
 5555 W Roosevelt St  
 Phoenix, AZ 85043

ISSUED FOR:  
 ISSUED DATE: 05/15/2024

PLAN REVISIONS		
NO.	DATE	DESCRIPTION

THE DESIGN, CONCEPTS, LOGS, AND ALL ASSOCIATED INFORMATION DEPICTED HEREIN IS THE SOLE PROPERTY OF PVE, LLC. THIS DOCUMENT HAS BEEN PREPARED SOLELY FOR THE BENEFIT OF THE PERSONNEL NAMED ABOVE AND FOR THE PROJECT NOTED ON THIS DOCUMENT. THE REPRODUCTION, ALTERATION, USE BY ANY THIRD PARTY, OR USE FOR ANY PURPOSE OTHER THAN PROCEEDING WITHOUT WRITTEN CONSENT FROM PVE, LLC IS PROHIBITED UNDER A VIOLATION OF LAW. USE OF THIS DOCUMENT IS WITH FULL RESPONSIBILITY OF ALL INHERENT ERRORS OR OMISSIONS. ELECTRONIC COPIES OF THIS DOCUMENT SHALL BE SUBJECT TO THE SAME COPYRIGHT CONDITIONS AS STATED ABOVE. ELECTRONIC MEDIA MAY CONTAIN ERRORS OR SYSTEM INCOMPATIBILITIES. PVE, LLC IN REGARDS OF THIS DOCUMENT, MAKES NO GUARANTEE AS TO THE ACCURACY OF THE ELECTRONIC DATA OR THE GENERAL RESPONSIBILITY OF THIS DOCUMENT.  
 © PVE, LLC 2023

PROJECT NAME:  
 KNOTWOOD - CLADDING & SOFFIT SHOP DRAWINGS

PROJECT LOCATION:

DRAWING NAME:  
 TITLE SHEET

SEAL & SIGNATURE	PROJECT NO:	2110314
	DRAWN BY:	
	CHECKED BY:	
	DRAWING NO:	T-100
	PAGE NO:	

**ABBREVIATIONS:**

ABV	ABOVE
ACI	AMERICAN CONCRETE INSTITUTE
ACIP	AUGERED CAST-IN-PLACE PILES
ADD'L	ADDITIONAL
AE	AIR-ENTRAINED
AISC	AMERICAN INSTITUTE OF STEEL CONSTRUCTION
ANSI	AMERICAN NATIONAL STANDARDS INSTITUTE
APPROX	APPROXIMATELY
AR	ANCHOR ROD
ARCH	ARCHITECTURAL
ASCE	AMERICAN SOCIETY OF CIVIL ENGINEERS
ASTM	AMERICAN SOCIETY FOR TESTING & MATERIALS
AWS	AMERICAN WELDING SOCIETY
B	BOTTOM
B/	BOTTOM OF
BH	BULKHEAD
BLDG	BUILDING
BM	BEAM
BOT	BOTTOM
CJP	COMPLETE JOINT PENETRATION
CLR	CLEAR

**ABBREVIATIONS (CONT.):**

CLSM	CONTROLLED LOW STRENGTH MATERIAL
CMU	CONCRETE MASONRY UNIT
CO	CLEAN OUT
COL	COLUMN
CONC	CONCRETE
CONT	CONTINUOUS
COORD	COORDINATE
COTR	CONTRACTING OFFICER'S TECHNICAL REPRESENTATIVE
db	REINFORCING BAR DIAMETER
DIA	DIAMETER
DN	DOWN
DTLS	DETAILS
DWG	DRAWING
DWLS	DOWELS
E	EXISTING
EA	EACH
EF	EACH FACE
EL	ELEVATION
ELECT	ELECTRICAL
ELEV	ELEVATOR
EMBED	EMBEDMENT

**ABBREVIATIONS (CONT.):**

EOS	EDGE OF SLAB
EQ	EQUAL
EQUIP	EQUIPMENT
EW	EACH WAY
EXIST	EXISTING
EXP	EXPANSION
FT	FOOT/FEET
FTG	FOOTING
FE	FIRE ESCAPE
GALV	GALVANIZE
GL	GRIDLINE
H	HIGH
HORIZ	HORIZONTAL
HP	HIGH POINT
HS	HIGH STRENGTH
HSA	HEADED SHEAR ANCHOR
IN	INCH(ES)
IP	INFLECTION POINT
I.F.	INSIDE FACE
JT	JOINT
K	KIPS (1000 POUNDS)

**ABBREVIATIONS (CONT.):**

kN	KILONEWTON
kPa	KILOPASCAL
L	LITER
L	LENGTH
LBS	POUNDS
Ld	REINF BAR DEVELOPMENT LENGTH
LLH	LONG LEG HORIZ
LLV	LONG LEG VERT
LP	LOW POINT
LTWT	LIGHT WEIGHT
m	METER
mm	MILLIMETER
MAX	MAXIMUM
MANUF	MANUFACTURER
MECH	MECHANICAL
MEP	MECH/ELECT/PLUMBING
MIN	MINIMUM
MPa	MEGAPASCAL
MTL	METAL
N	NEWTON
NLWT	NORMAL WEIGHT

**ABBREVIATIONS (CONT.):**

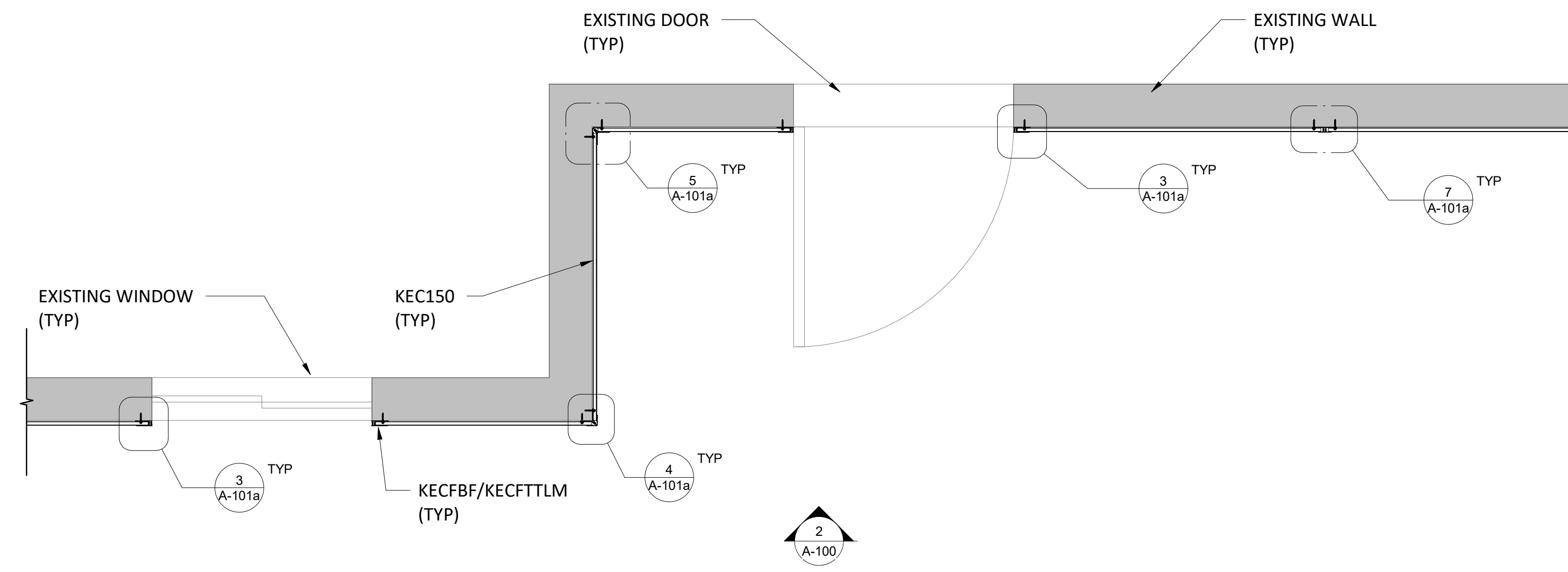
(N)	NEW
OC	ON CENTER
OPNG	OPENING
OPP	OPPOSITE
O.F.	OUTER FACE
PJP	PARTIAL JOINT PENETRATION
PSF	POUNDS PER SQUARE FOOT
PSI	POUNDS PER SQUARE INCH
PT	POST-TENSION
R	RISER
REF	REFERENCE
REINF	REINFORCING OR REINFORCEMENT
REQ'D	REQUIRED
SCHED	SCHEDULE
SC	SLIP CRITICAL
SDI	STEEL DECK INSTITUTE
SDL	SUPERIMPOSED DEAD LOAD
SEC	SECONDS
SIM	SIMILAR
SJI	STEEL JOIST INSTITUTE
SLV	SHORT LED (DIM) VERTICAL

**ABBREVIATIONS (CONT.):**

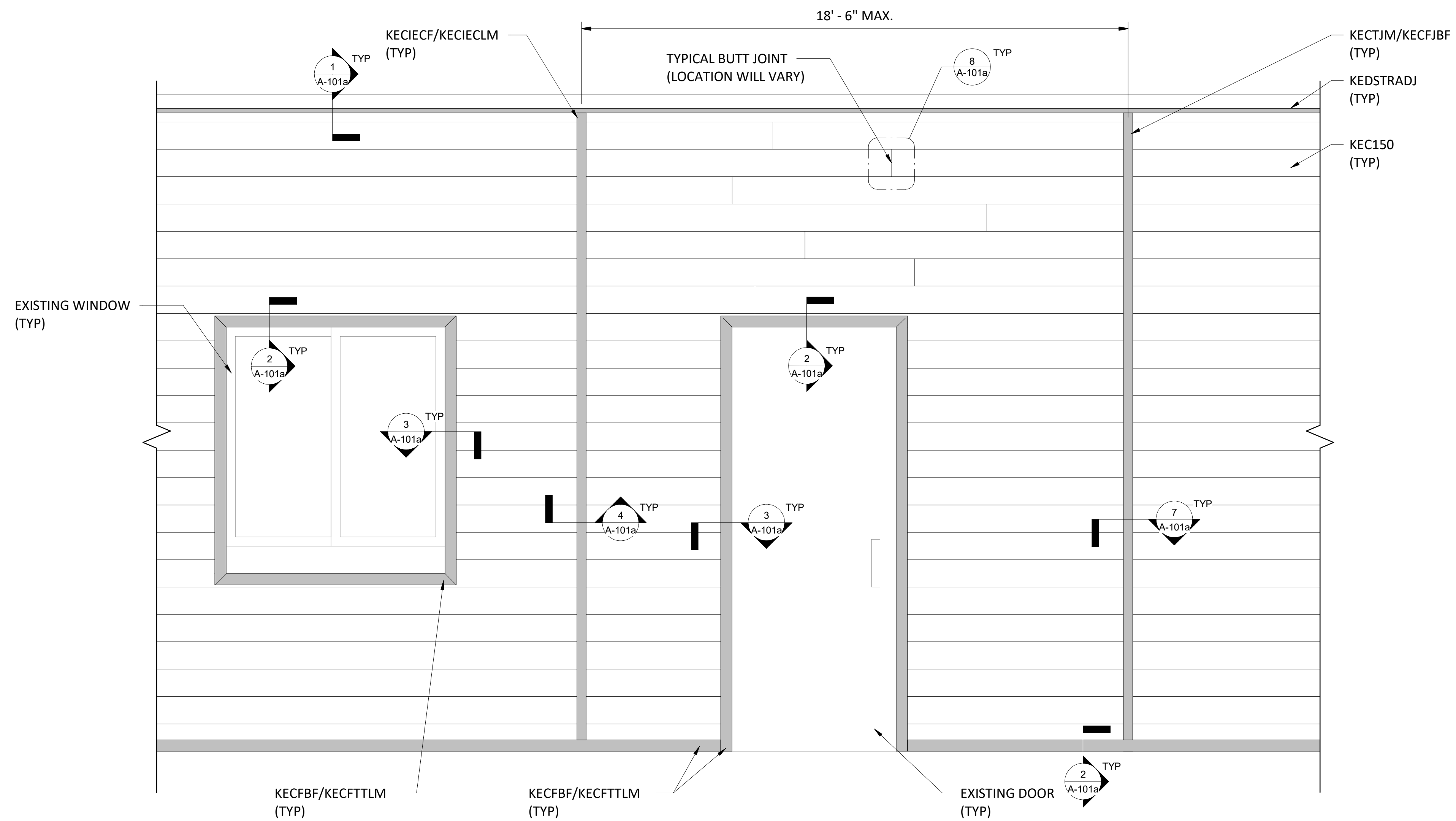
SOG	SLAB-ON-GRADE
STD	STANDARD
STL	STEEL
STRUCT	STRUCTURAL
T	TOP OF TREAD
T/	TOP OF
TOF	TOP OF FOOTING
TOS	TOP OF STEEL
THK	THICK
TMS	THE MASONRY SOCIETY
TYP	TYPICAL
UNO	UNLESS NOTED OTHERWISE
VERT	VERTICAL
W/C	WATER-CEMENTITIOUS MATERIAL RATIO
W	WIDTH
WD	WOOD
WP	WORK POINT
WWR	WELDED WIRE REINFORCEMENT



1. FINAL LAYOUT MAY VARY, THE CONTRACTOR SHALL FIELD VERIFY ALL DIMENSIONS PRIOR TO COMMENCEMENT OF ANY WORK.
2. FINAL CLADDING SPICE LOCATIONS TO BE COORDINATED BY THE G.C.
3. NOTE, KEC150 TYPICAL CLADDING USED, KED150 MAY BE SUBSTITUTED WITHOUT EXCEPTION.



① HORIZONTAL CLADDING GENERIC PLAN VIEW  
 3/4" = 1'-0"



② HORIZONTAL CLADDING GENERIC ELEVATION VIEW  
 3/4" = 1'-0"

ISSUED FOR:  
 ISSUED DATE: 05/15/2024

PLAN REVISIONS		
NO.	DATE	DESCRIPTION

THE DESIGN, CONCEPTS, LOGOS, AND ALL ASSOCIATED INFORMATION DEPICTED HEREIN IS THE SOLE PROPERTY OF PVE, LLC. THIS DOCUMENT HAS BEEN PREPARED SOLELY FOR THE BENEFIT OF THE PERSONS NAMED ABOVE AND FOR THE PROJECT NOTED ON THIS DOCUMENT. THE REPRODUCTION, ALTERATION, USE BY ANY THIRD PARTY, OR USE FOR ANY PURPOSE OTHER THAN PROCEED WITH THE PROJECT WITHOUT WRITTEN CONSENT FROM PVE, LLC IS PROHIBITED AND A VIOLATION OF LAW. USE OF THIS DOCUMENT IS WITH FULL RESPONSIBILITY OF ALL INHERENT ERRORS OR OMISSIONS. ELECTRONIC COPIES OF THIS DOCUMENT SHALL BE SUBJECT TO THE SAME COPYRIGHT CONDITIONS AS STATED ABOVE. ELECTRONIC MEDIA MAY CONTAIN ERRORS OR SYSTEM INCOMPATIBILITIES. PVE, LLC IN ISSUANCE OF THIS DOCUMENT, MAKES NO GUARANTEE AS TO THE ACCURACY OF THE ELECTRONIC DATA OR THE GENERAL RESPONSIBILITY OF THIS DOCUMENT.  
 © PVE, LLC 2023

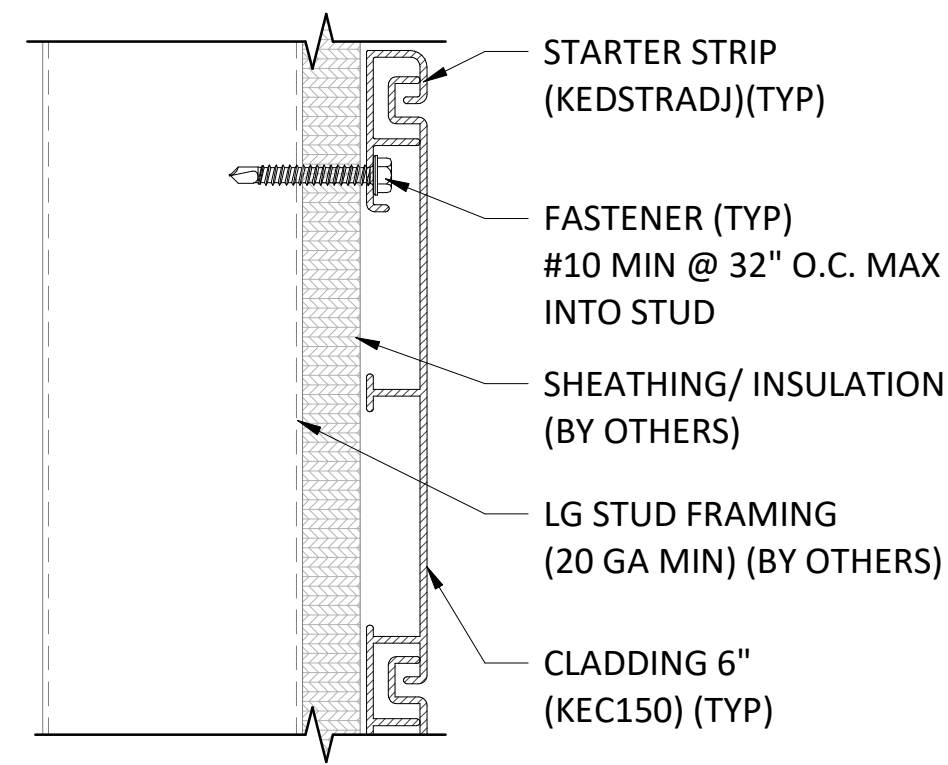
PROJECT NAME:  
 KNOTWOOD - CLADDING & SOFFIT SHOP DRAWINGS

PROJECT LOCATION:

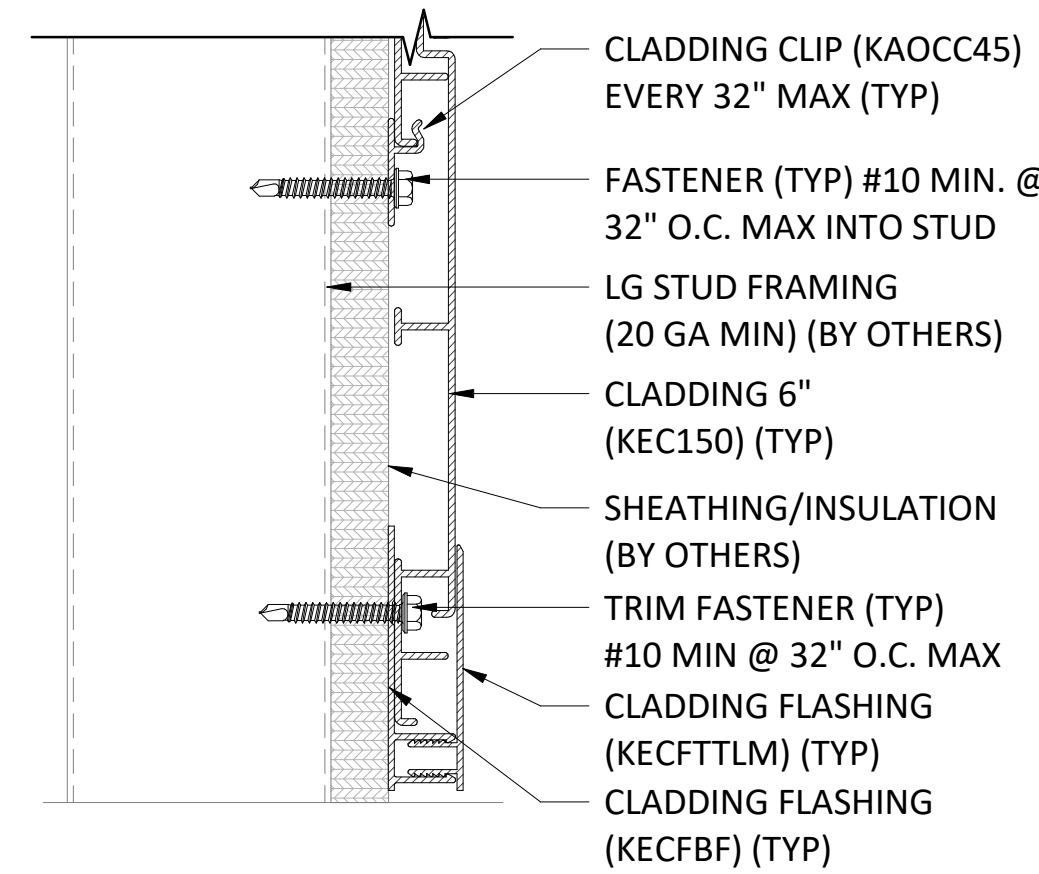
DRAWING NAME:  
 HORIZONTAL CLADDING PLAN & ELEVATION

SEAL & SIGNATURE	PROJECT NO:	2110314
	DRAWN BY:	
	CHECKED BY:	
	DRAWING NO:	A-100
PAGE NO:		

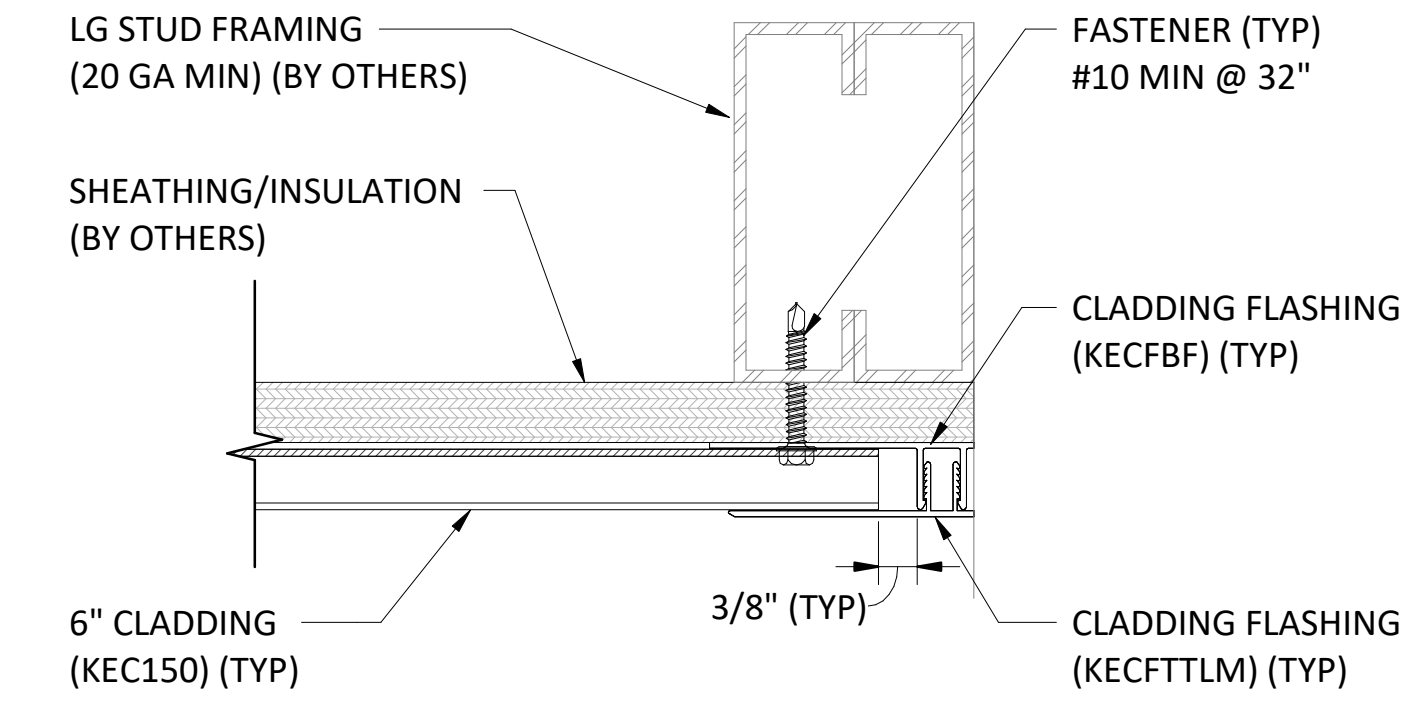




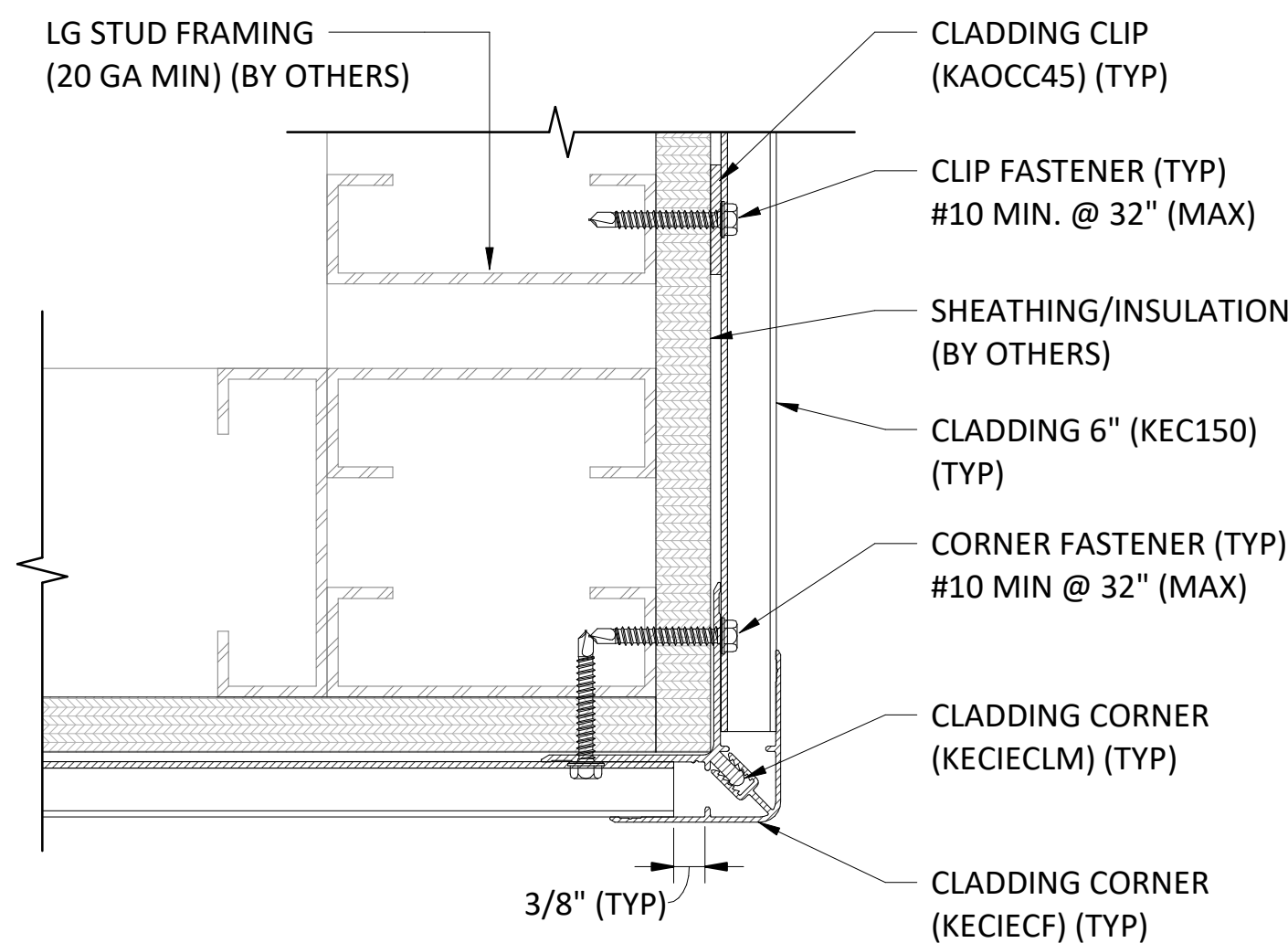
1 TYPICAL HORIZONTAL CLADDING TO LG STARTER DETAIL  
6" = 1'-0"



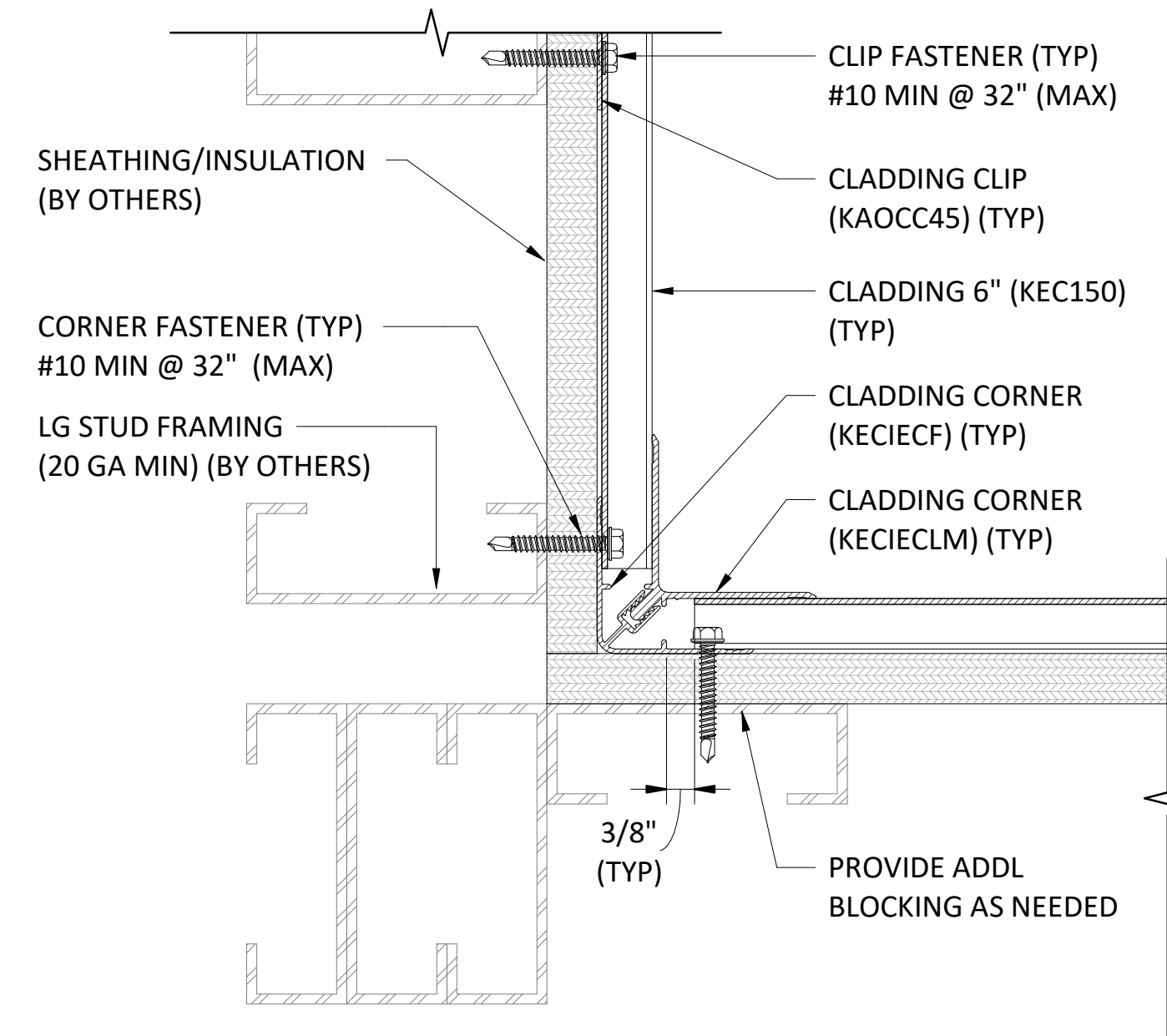
2 TYPICAL HORIZONTAL CLADDING TO LG EDGE DETAIL I  
6" = 1'-0"



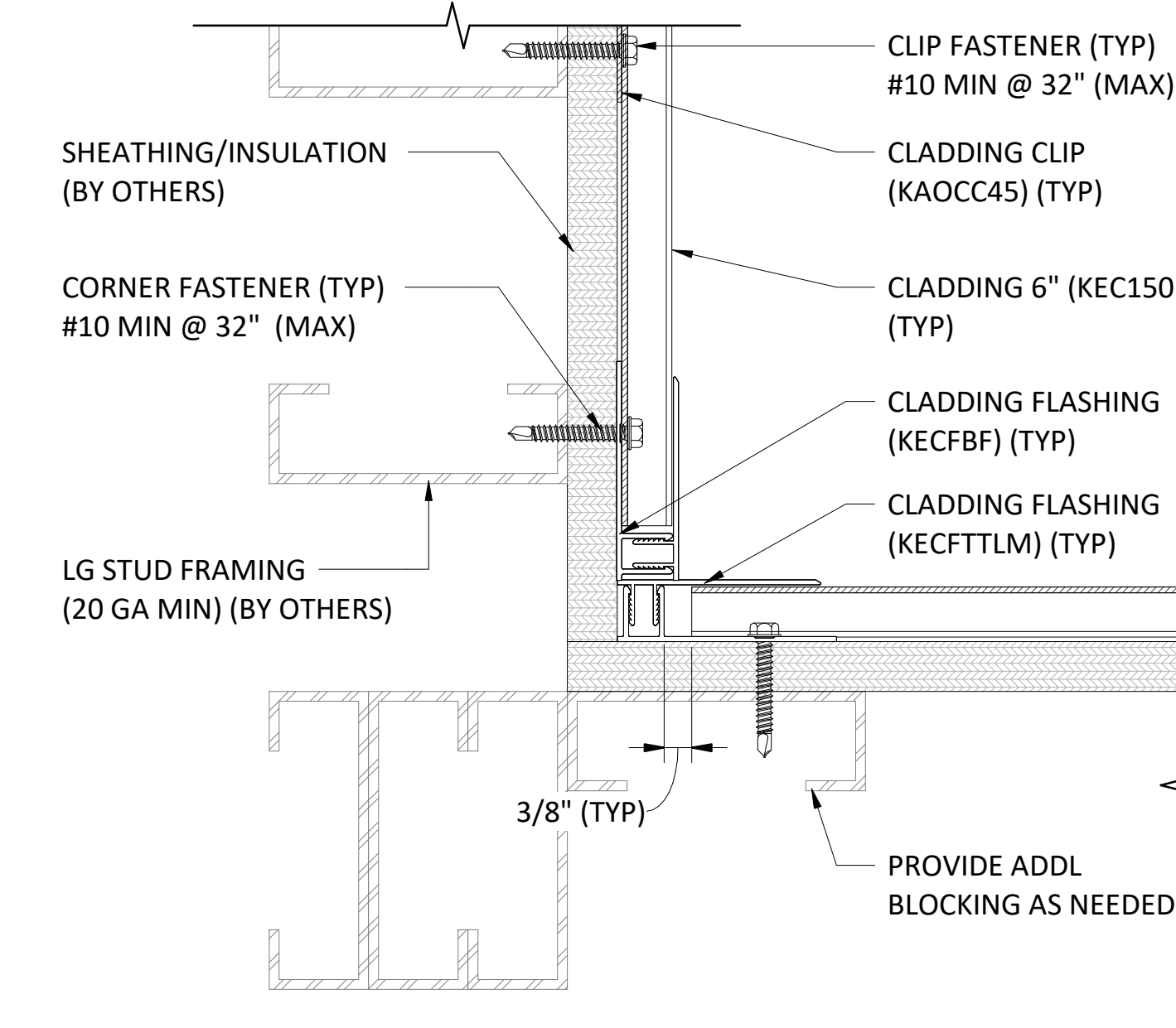
3 TYPICAL HORIZONTAL CLADDING TO LG EDGE DETAIL II  
6" = 1'-0"



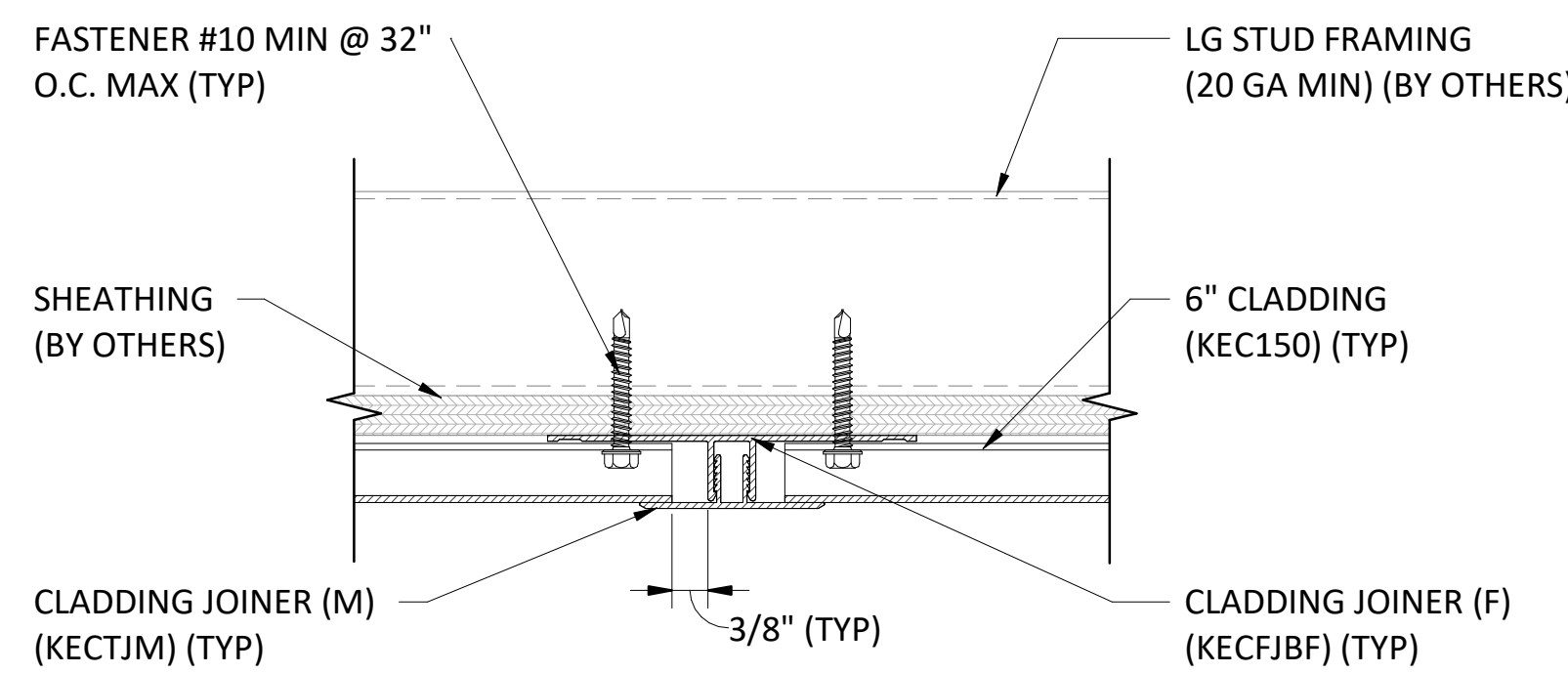
4 TYPICAL HORIZONTAL CLADDING TO LG OUTSIDE CORNER DETAIL  
6" = 1'-0"



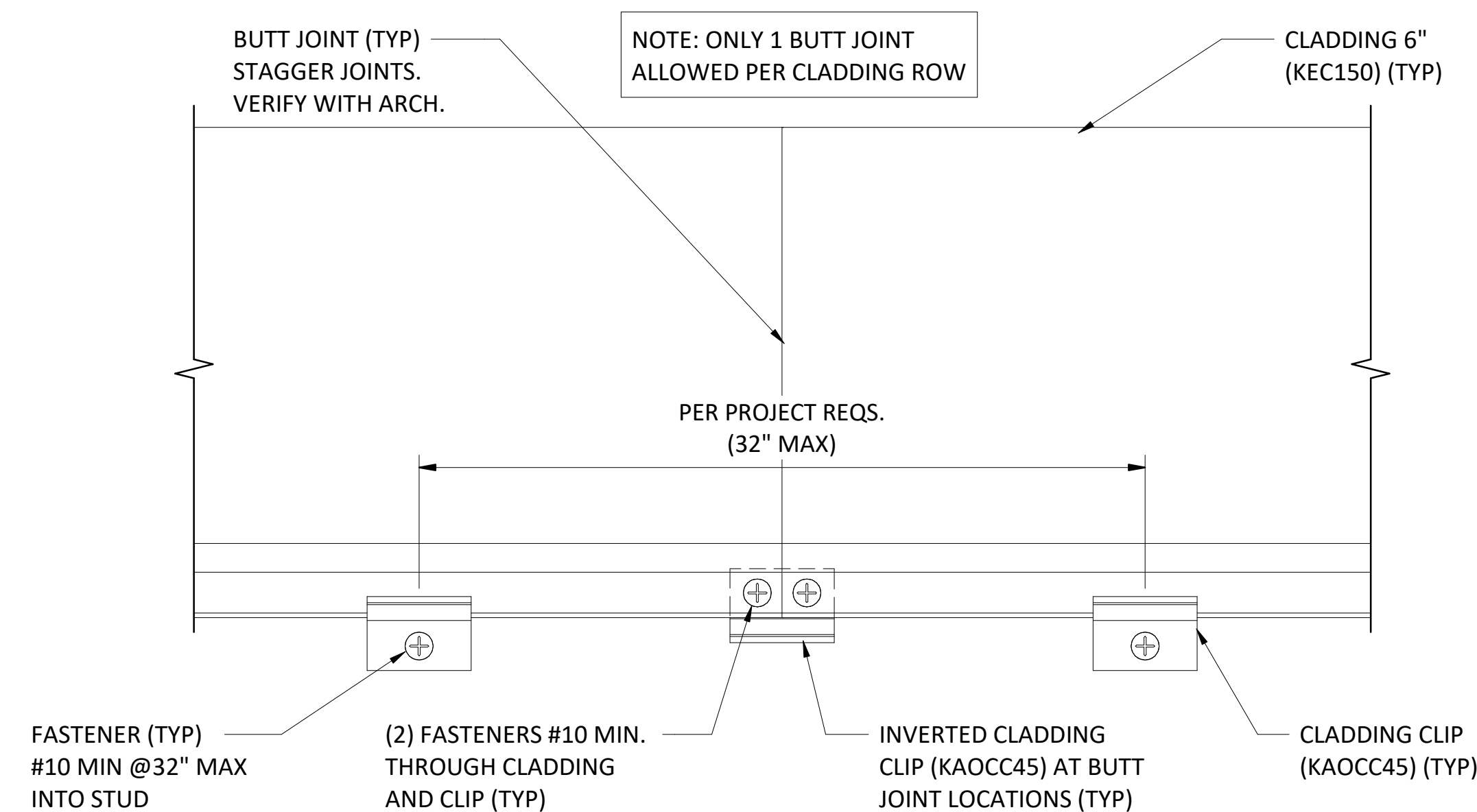
5 TYPICAL HORIZONTAL CLADDING TO LG INSIDE CORNER DETAIL  
6" = 1'-0"



6 TYPICAL HORIZONTAL CLADDING TO LG OPTIONAL INSIDE CORNER DETAIL  
6" = 1'-0"



7 TYPICAL HORIZONTAL CLADDING TO LG SPLICE DETAIL  
6" = 1'-0"



8 TYPICAL HORIZONTAL CLADDING TO LG BUTT JOINT DETAIL  
6" = 1'-0"

1. NOTE, KEC150 TYPICAL CLADDING USED, KED150 MAY BE SUBSTITUTED WITHOUT EXCEPTION.

PREPARED FOR:  
**K KNOTWOOD**  
 Stunning Aluminum  
 5555 W Roosevelt St  
 Phoenix, AZ 85043

ISSUED FOR:  
 ISSUED DATE: 05/15/2024

PLAN REVISIONS		
NO.	DATE	DESCRIPTION

THE DESIGN, CONCEPTS, LOGOS, AND ALL ASSOCIATED INFORMATION DEPICTED HEREIN IS THE SOLE PROPERTY OF PVE, LLC. THIS DOCUMENT HAS BEEN PREPARED SOLELY FOR BENEFIT OF THE PERSONNEL NAMED ABOVE AND FOR THE PROJECT NOTED ON THIS DOCUMENT. THE REPRODUCTION, ALTERATION, USE BY ANY THIRD PARTY, OR USE FOR ANY PURPOSE OTHER THAN PROJECTS, WITHOUT WRITTEN CONSENT FROM PVE, LLC IS PROHIBITED AND A VIOLATION OF LAW. USE OF THIS DOCUMENT IS WITH FULL RESPONSIBILITY OF ALL INHERENT ERRORS OR OMISSIONS. ELECTRONIC COPIES OF THIS DOCUMENT SHALL BE SUBJECT TO THE SAME COPYRIGHT CONDITIONS AS STATED ABOVE. ELECTRONIC MEDIA MAY CONTAIN ERRORS OR SYSTEM INCOMPATIBILITIES. PVE, LLC IN ISSUANCE OF THIS DOCUMENT, MAKES NO GUARANTEE AS TO THE ACCURACY OF THE ELECTRONIC DATA OR THE GENERAL RESPONSIBILITY OF THIS DOCUMENT.  
 © PVE, LLC 2023

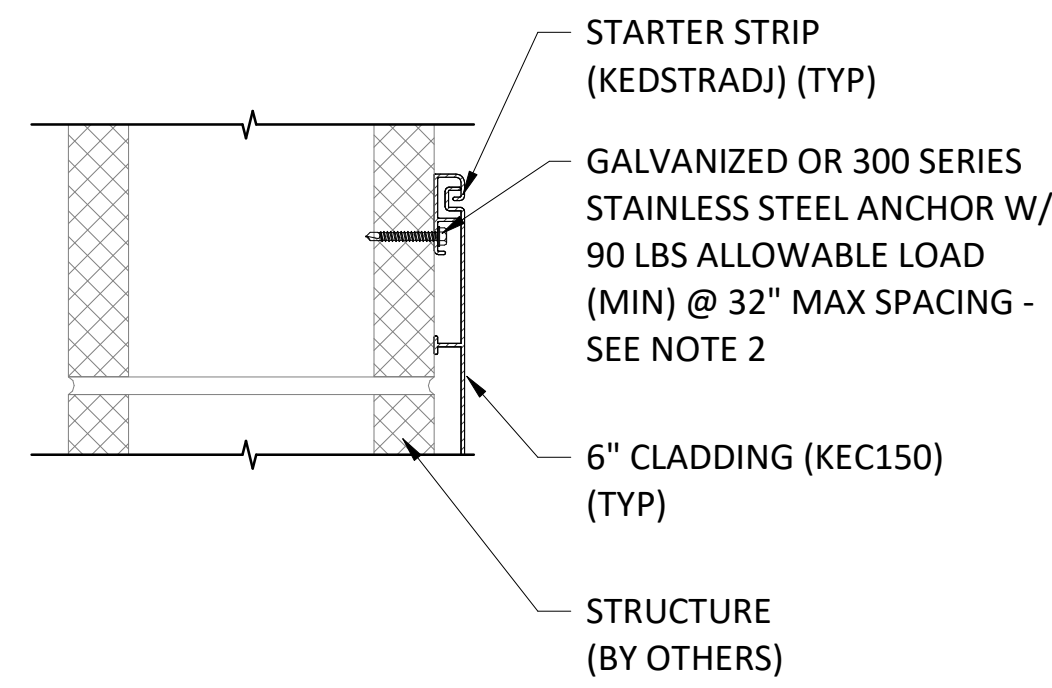
PROJECT NAME:  
 KNOTWOOD - CLADDING & SOFFIT SHOP DRAWINGS

PROJECT LOCATION:

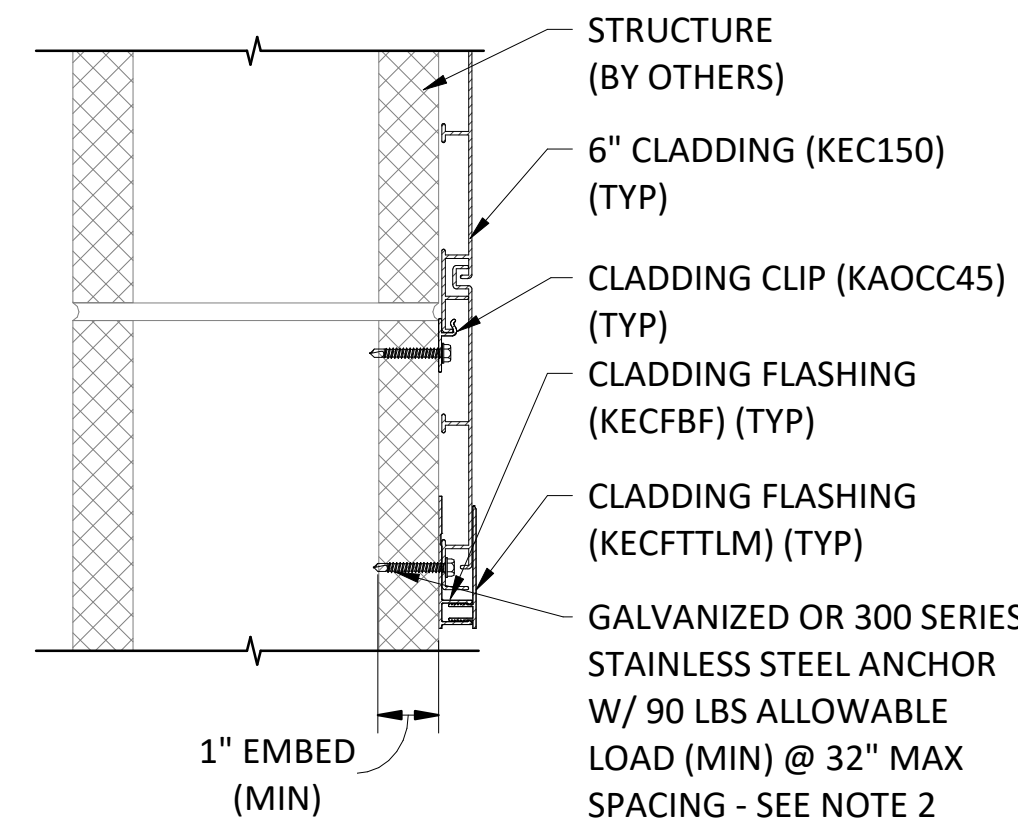
DRAWING NAME:  
 HORIZONTAL CLADDING LIGHT GAUGE FRAMING

SEAL & SIGNATURE	PROJECT NO:	2110314
	DRAWN BY:	
	CHECKED BY:	
	DRAWING NO:	A-101b
PAGE NO:		

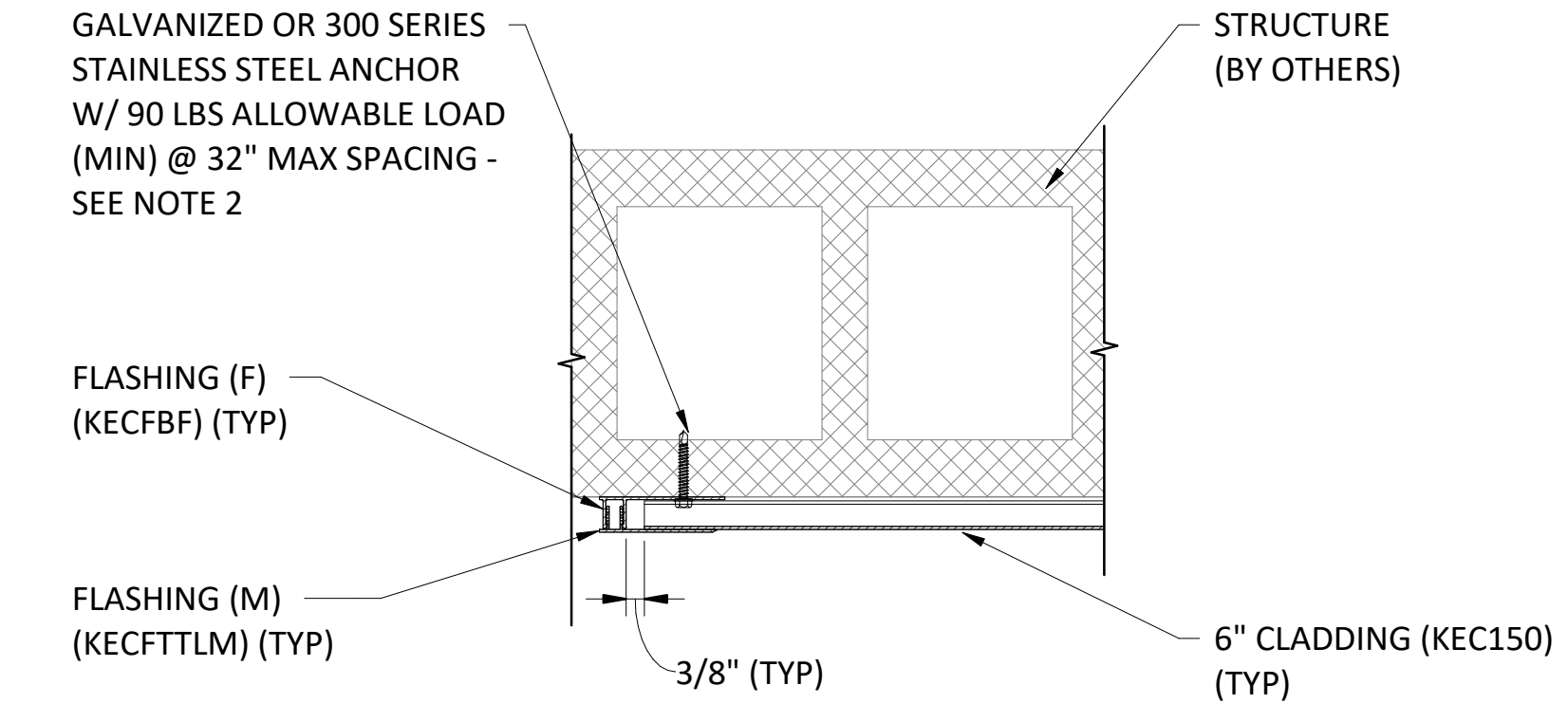
- NOTE, KEC150 TYPICAL CLADDING USED, KED150 MAY BE SUBSTITUTED WITHOUT EXCEPTION.
- ALL MANUFACTURER INSTALLATION INSTRUCTIONS SHALL BE FOLLOWED FOR POST-INSTALLED ANCHORS.



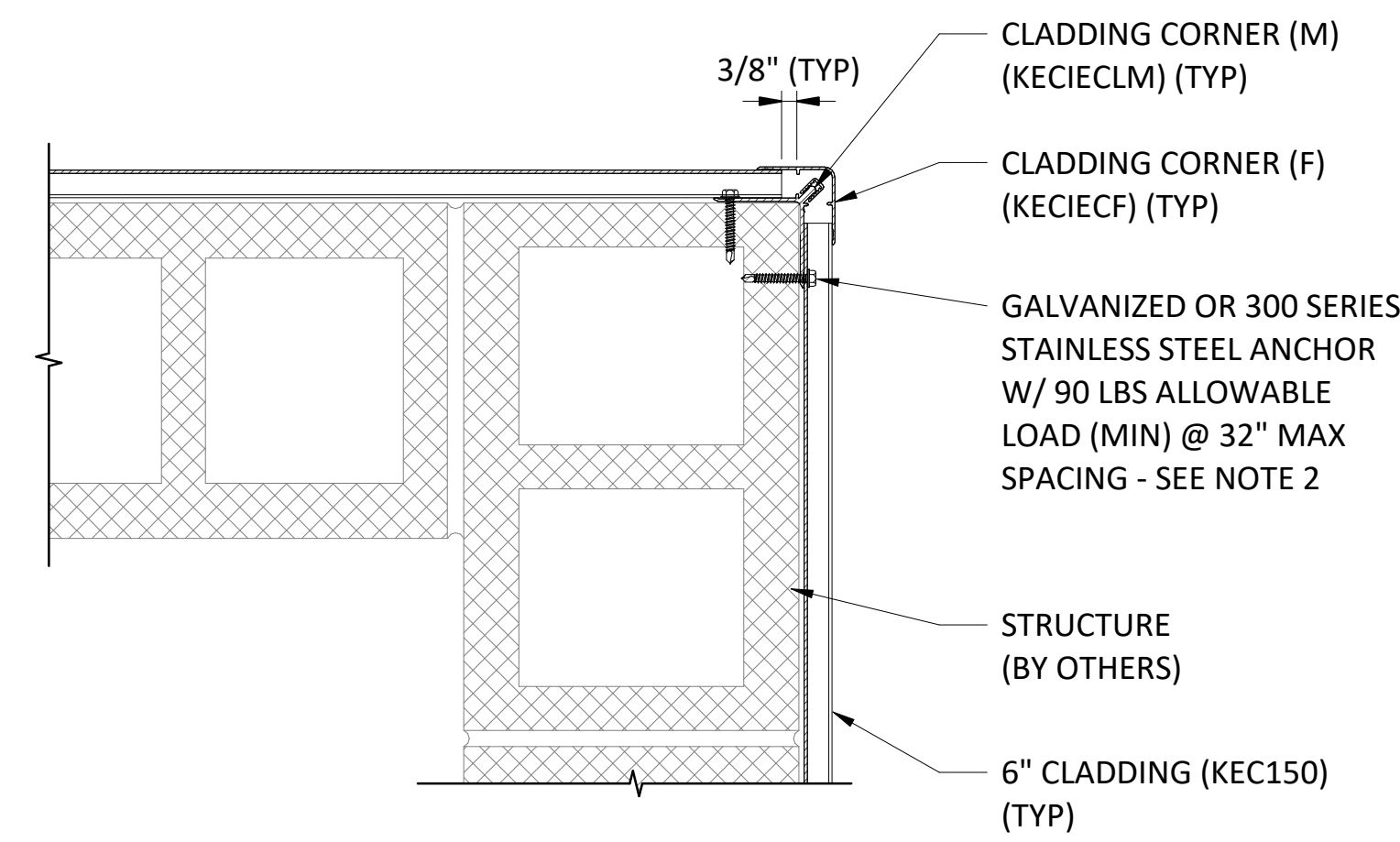
1 TYPICAL CLADDING TO CMU EDGE STARTER DETAIL  
3" = 1'-0"



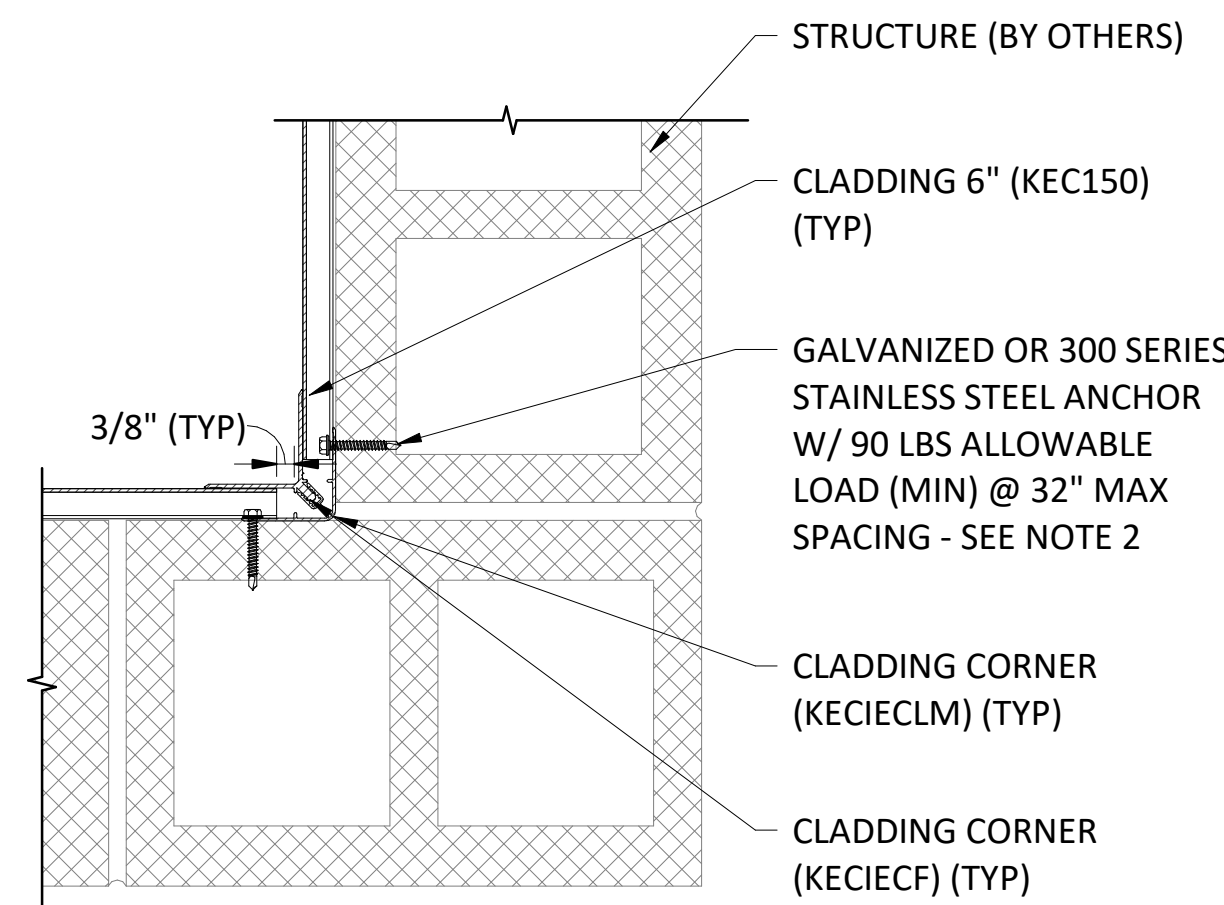
2 TYPICAL CLADDING TO CMU EDGE DETAIL I  
3" = 1'-0"



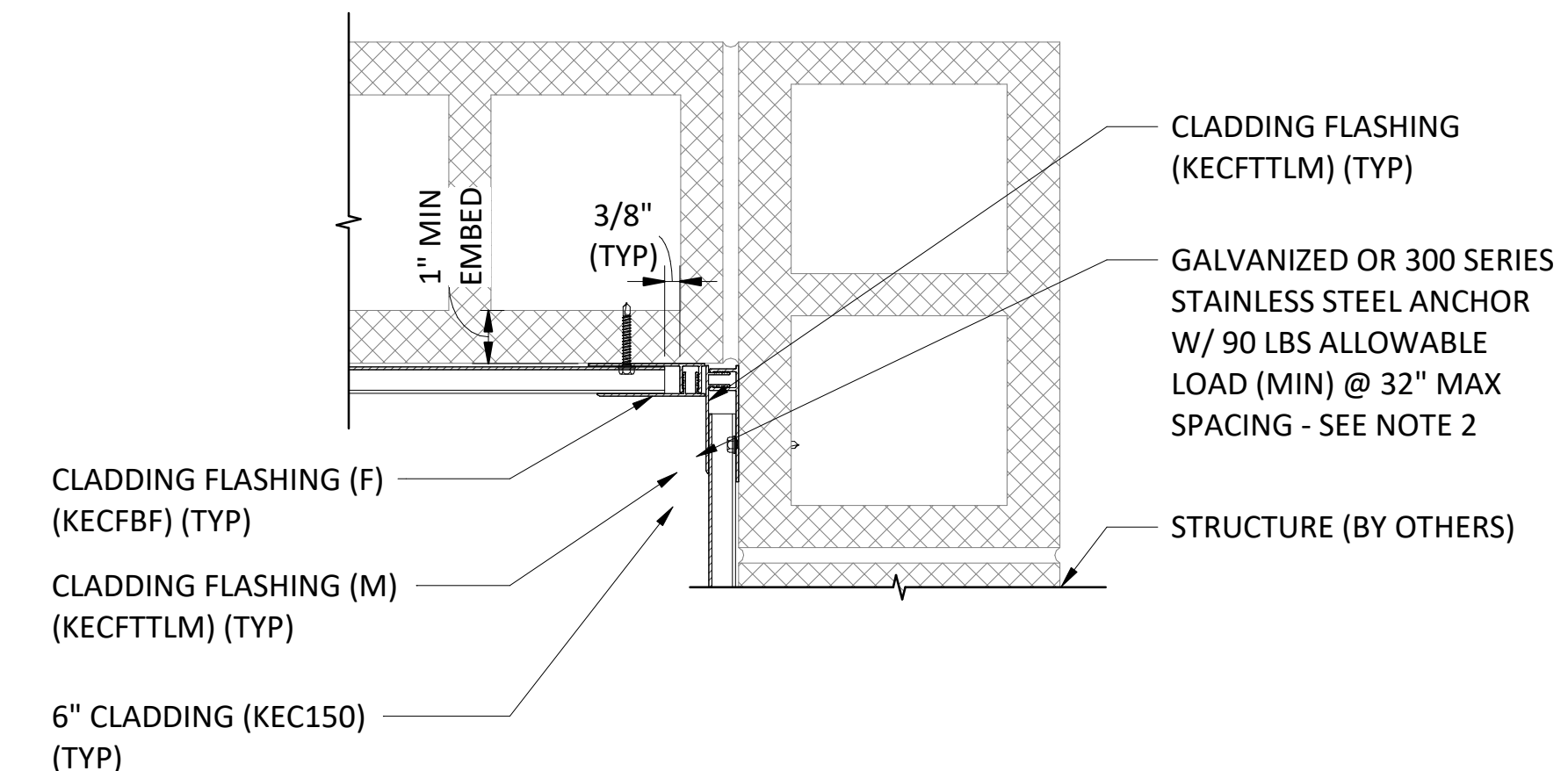
3 TYPICAL CLADDING TO CMU EDGE DETAIL II  
3" = 1'-0"



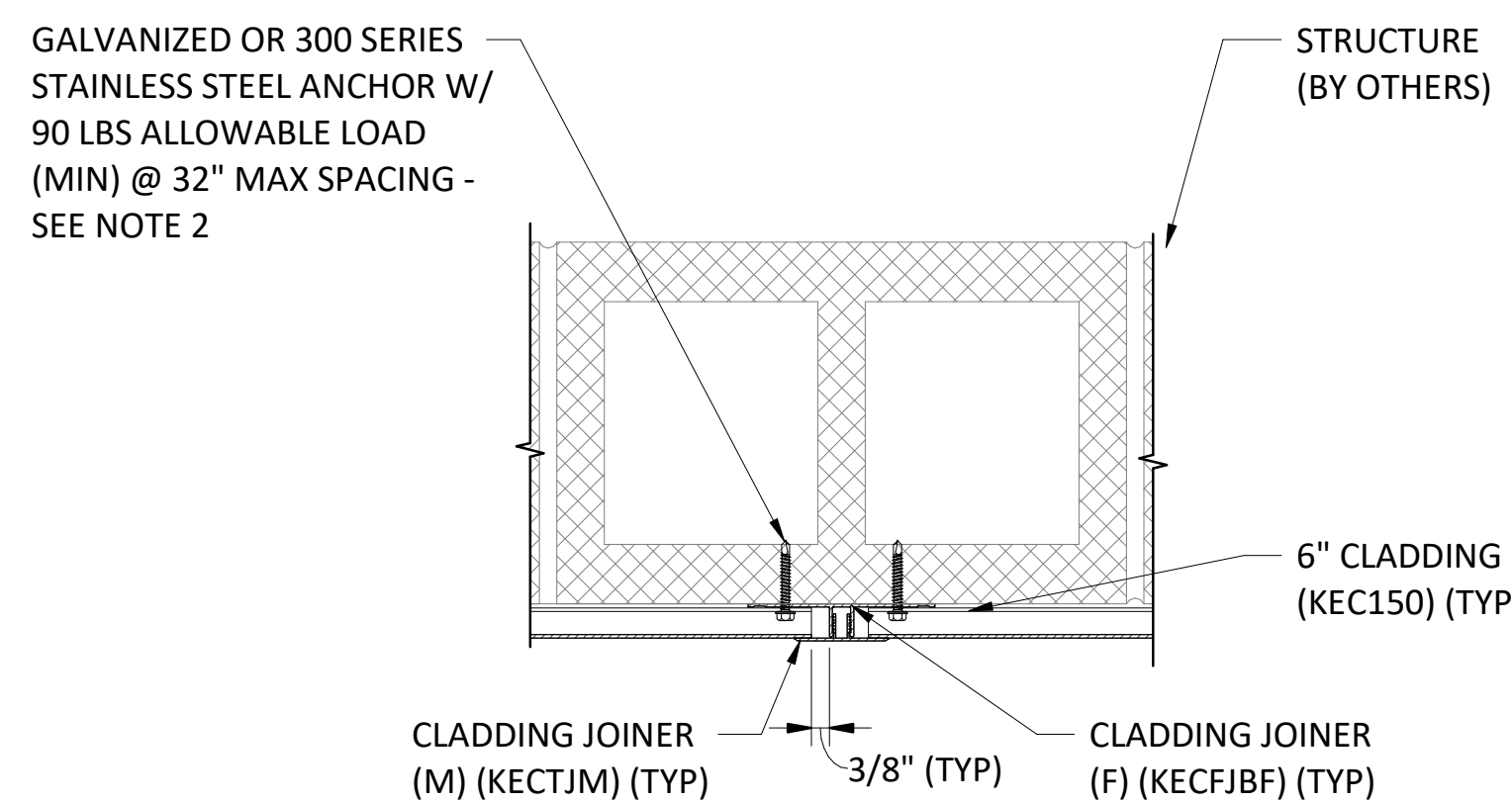
4 TYPICAL CLADDING TO CMU CORNER DETAIL  
3" = 1'-0"



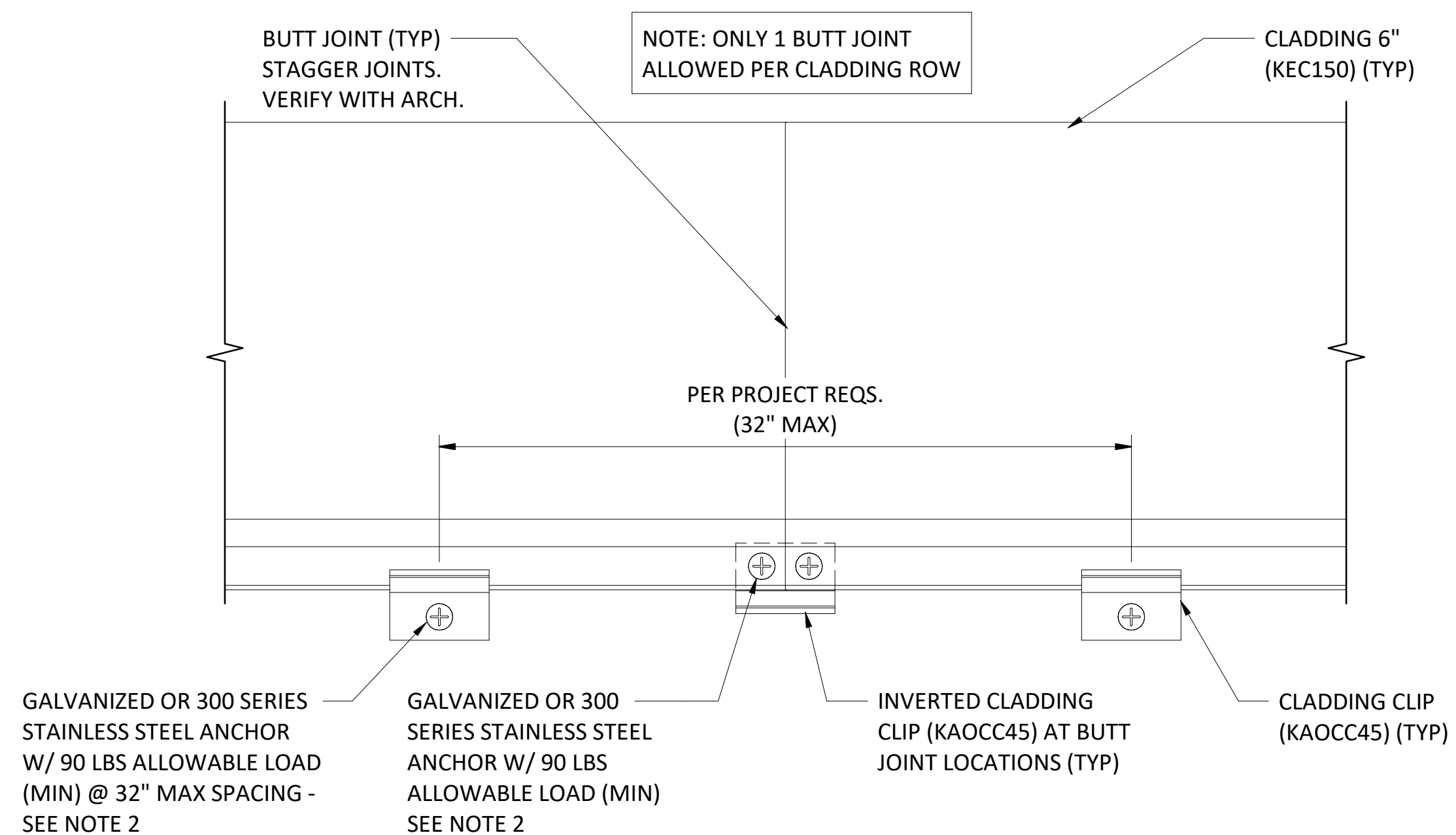
5 TYPICAL HORIZONTAL CLADDING TO CMU INSIDE CORNER  
3" = 1'-0"



6 OPTIONAL CLADDING TO CMU INTERIOR CORNER DETAIL  
3" = 1'-0"



7 TYPICAL CLADDING TO CMU SPLICE DETAIL  
3" = 1'-0"



8 TYPICAL CLADDING TO CMU BUTT JOINT DETAIL  
6" = 1'-0"

PLAN REVISIONS		
NO.	DATE	DESCRIPTION

THE DESIGN, CONCEPTS, LOGOS, AND ALL ASSOCIATED INFORMATION DEPICTED HEREIN IS THE SOLE PROPERTY OF PVE, LLC. THIS DOCUMENT HAS BEEN PREPARED SOLELY FOR THE BENEFIT OF THE PERSONS NAMED ABOVE AND FOR THE PROJECT NOTED ON THIS DOCUMENT. THE REPRODUCTION, ALTERATION, USE BY ANY THIRD PARTY, OR USE FOR ANY PURPOSE OTHER THAN THAT SPECIFIED, WITHOUT WRITTEN CONSENT FROM PVE, LLC IS PROHIBITED AND A VIOLATION OF LAW. USE OF THIS DOCUMENT IS WITH FULL RESPONSIBILITY OF ALL INHERENT ERRORS OR OMISSIONS. ELECTRONIC COPIES OF THIS DOCUMENT SHALL BE SUBJECT TO THE SAME COPYRIGHT CONDITIONS AS STATED ABOVE. ELECTRONIC MEDIA MAY CONTAIN ERRORS OR SYSTEM INCOMPATIBILITIES. PVE, LLC IN ASSUANCE OF THIS DOCUMENT, MAKES NO GUARANTEE AS TO THE ACCURACY OF THE ELECTRONIC DATA OR THE GENERAL RESPONSIBILITY OF THIS DOCUMENT.  
 © PVE, LLC 2023

PROJECT NAME:  
 KNOTWOOD - CLADDING & SOFFIT SHOP DRAWINGS

PROJECT LOCATION:  
 DRAWING NAME:  
 HORIZONTAL CLADDING CMU WALL DETAILS

SEAL & SIGNATURE	PROJECT NO: 2110314
	DRAWN BY:
	CHECKED BY:
	DRAWING NO: A-101c
	PAGE NO:

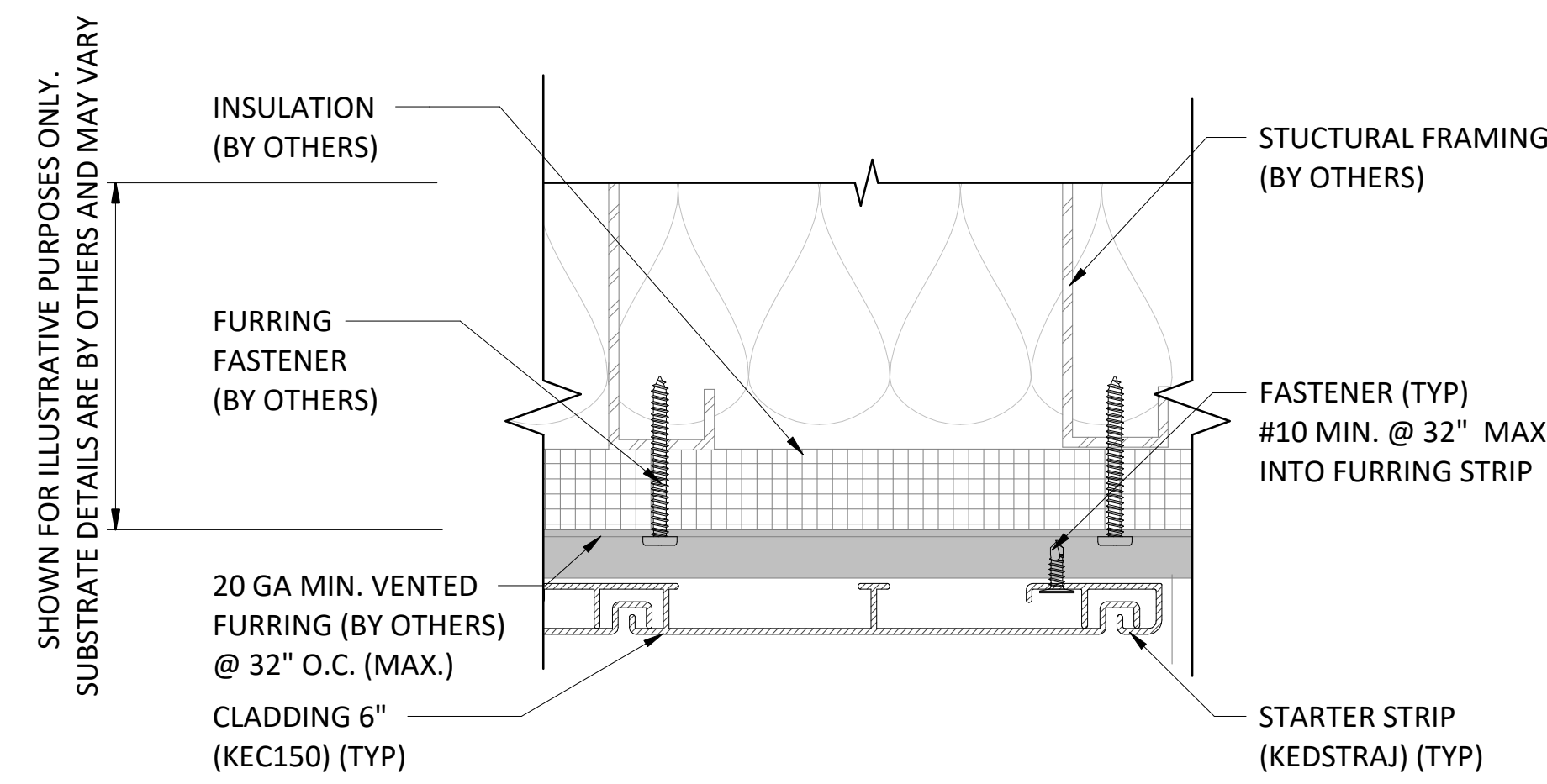




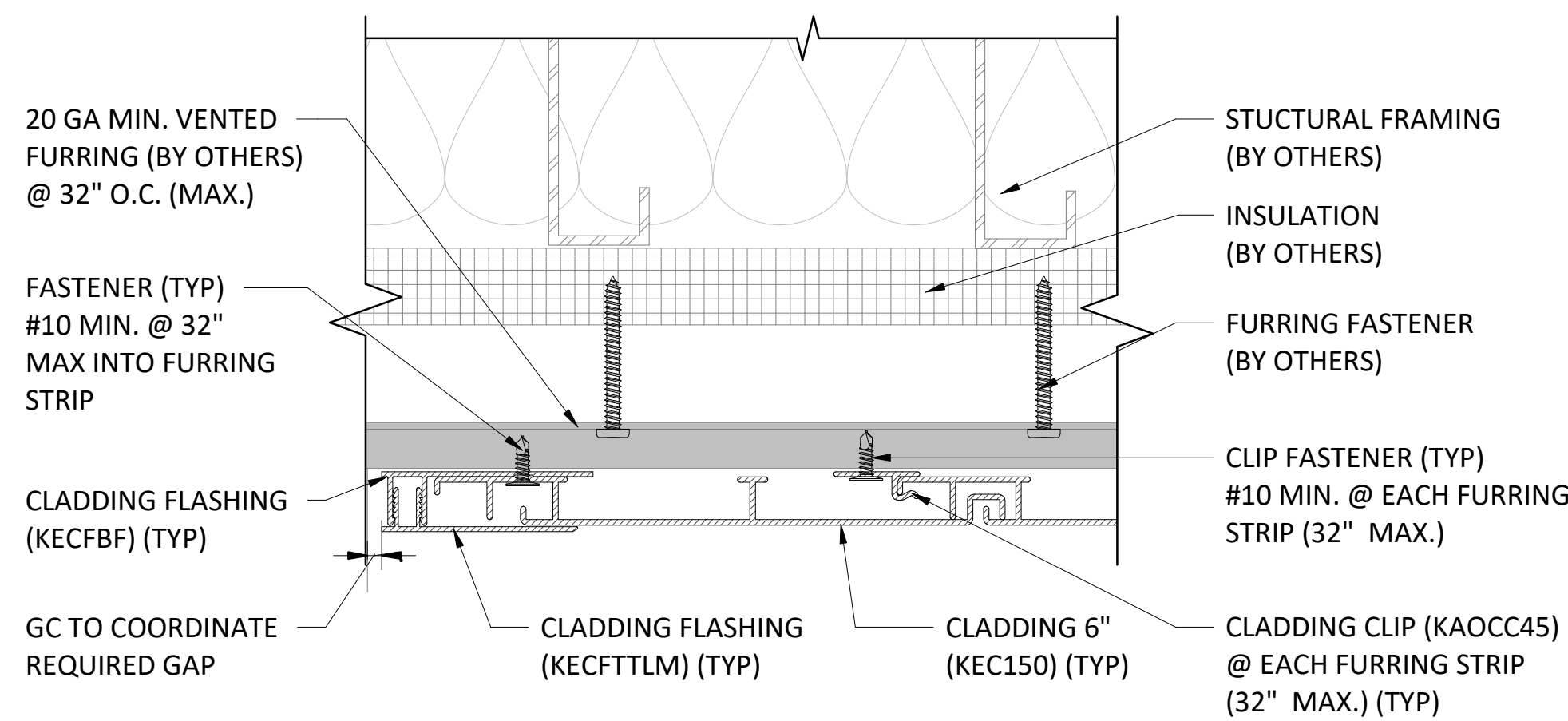




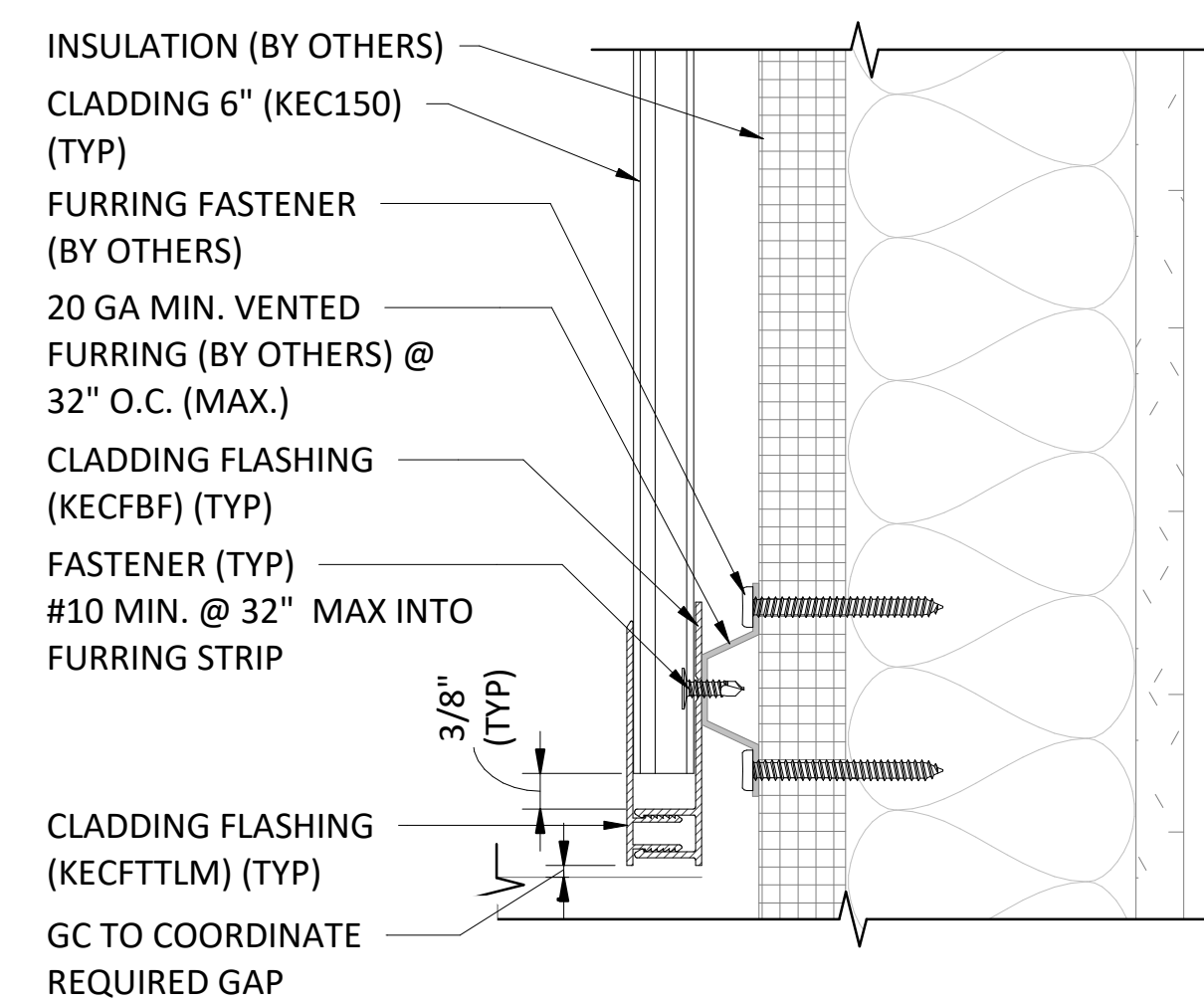
1. NOTE, KEC150 TYPICAL CLADDING USED, KED150 MAY BE SUBSTITUTED WITHOUT EXCEPTION.



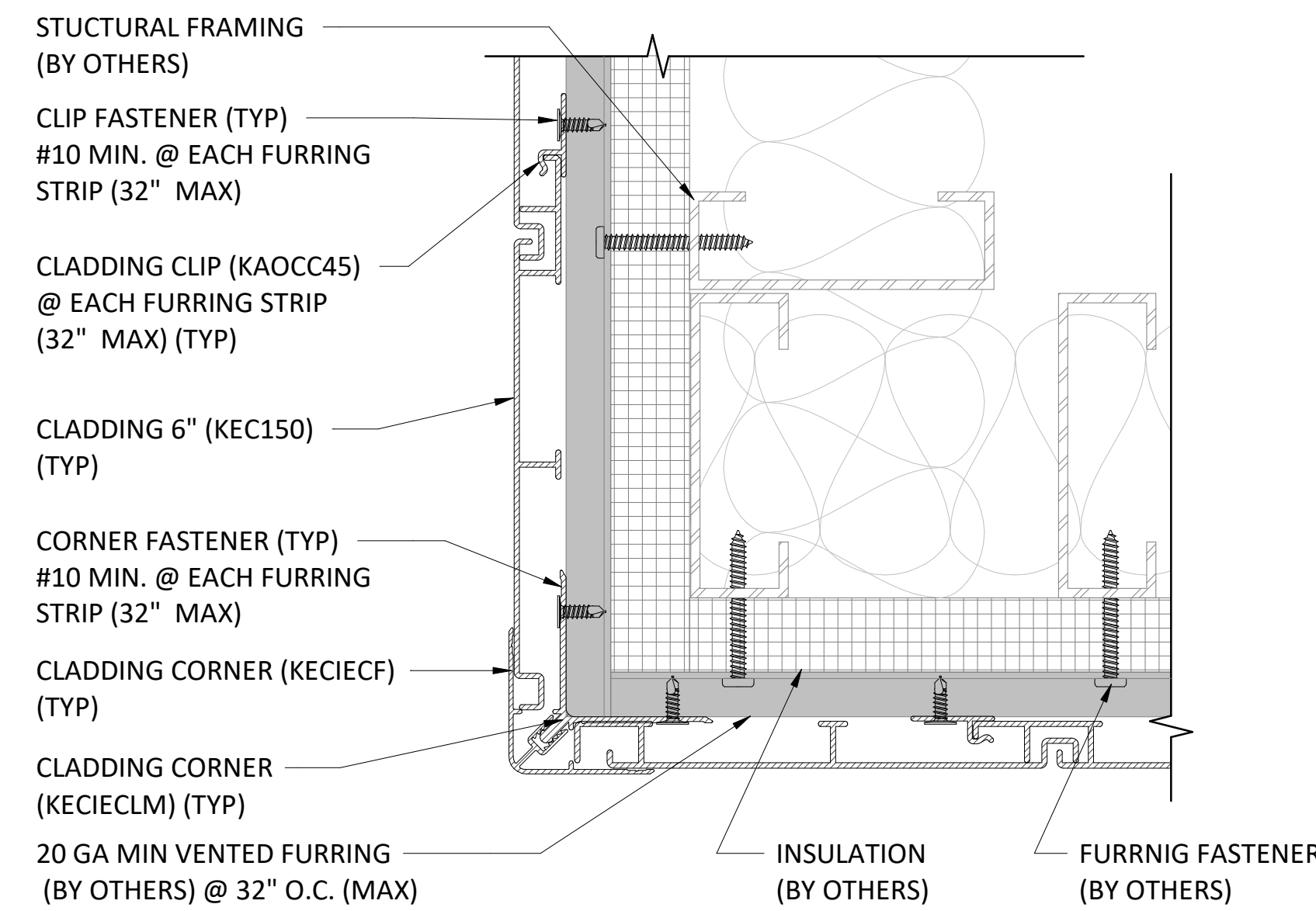
1 TYPICAL VERTICAL CLADDING W/METAL FURRING TO LG STARTER EDGE DETAIL  
6" = 1'-0"



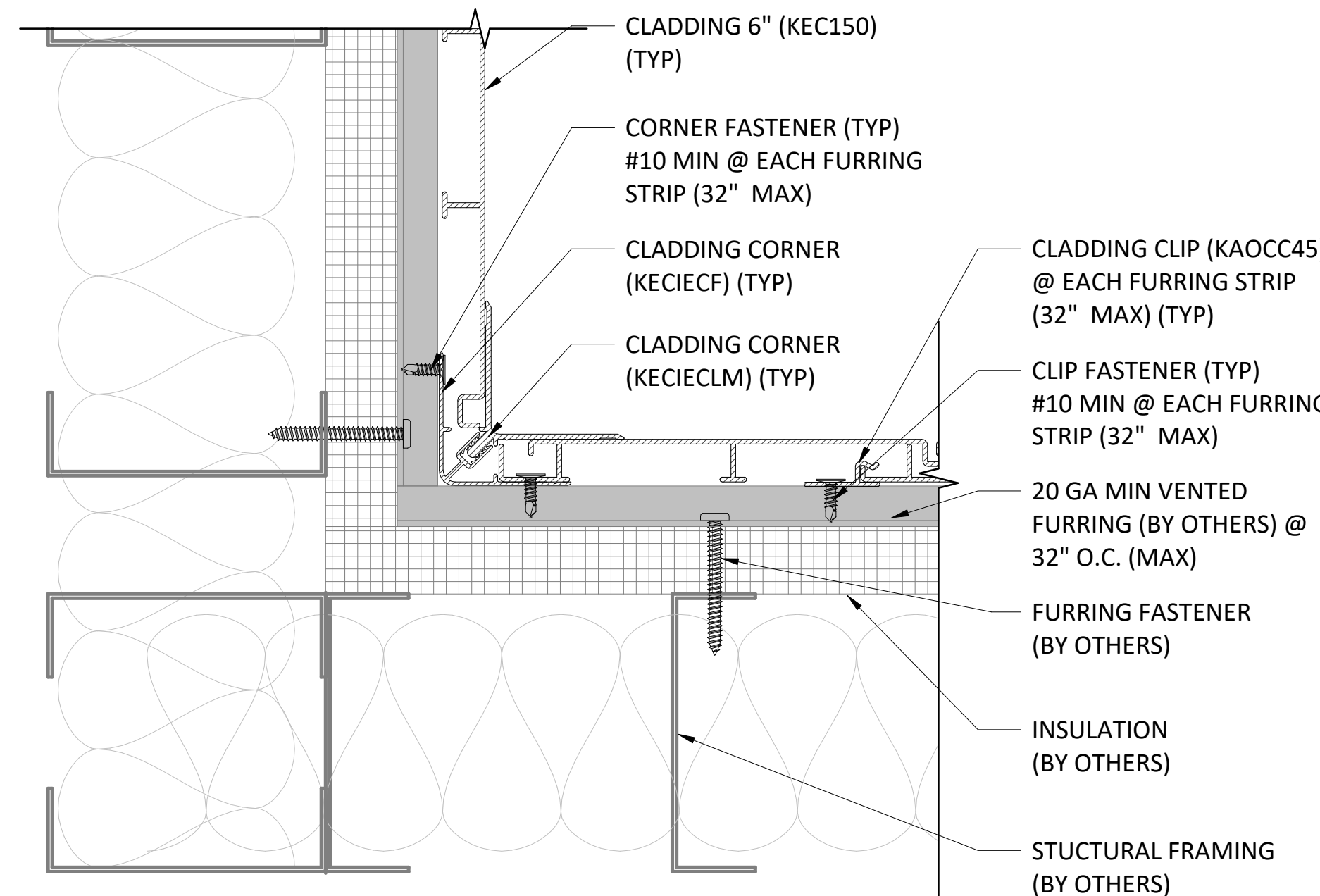
2 TYPICAL VERTICAL CLADDING W/METAL FURRING TO LG EDGE DETAIL I  
6" = 1'-0"



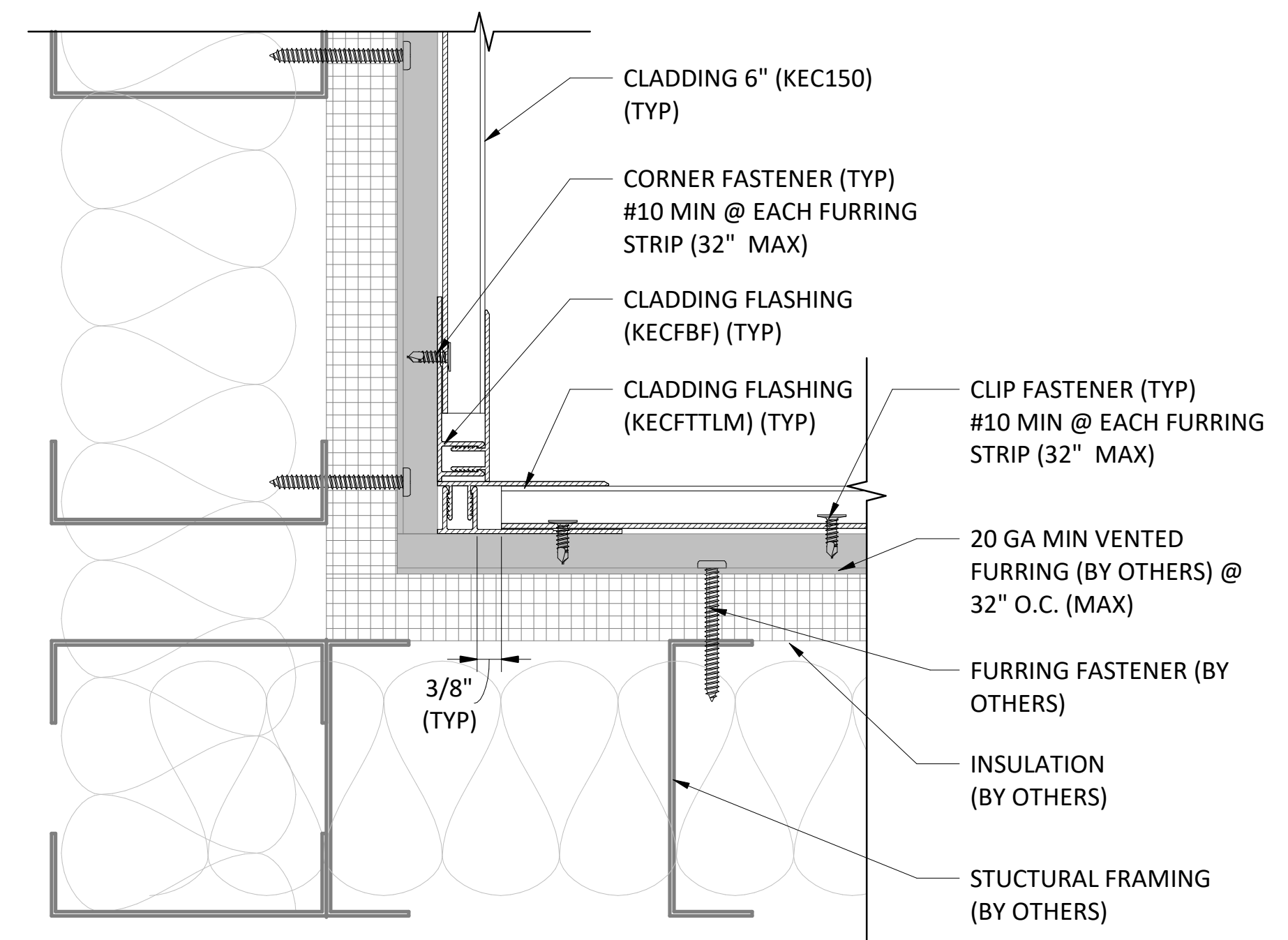
3 TYPICAL VERTICAL CLADDING W/METAL FURRING TO LG EDGE DETAIL II  
6" = 1'-0"



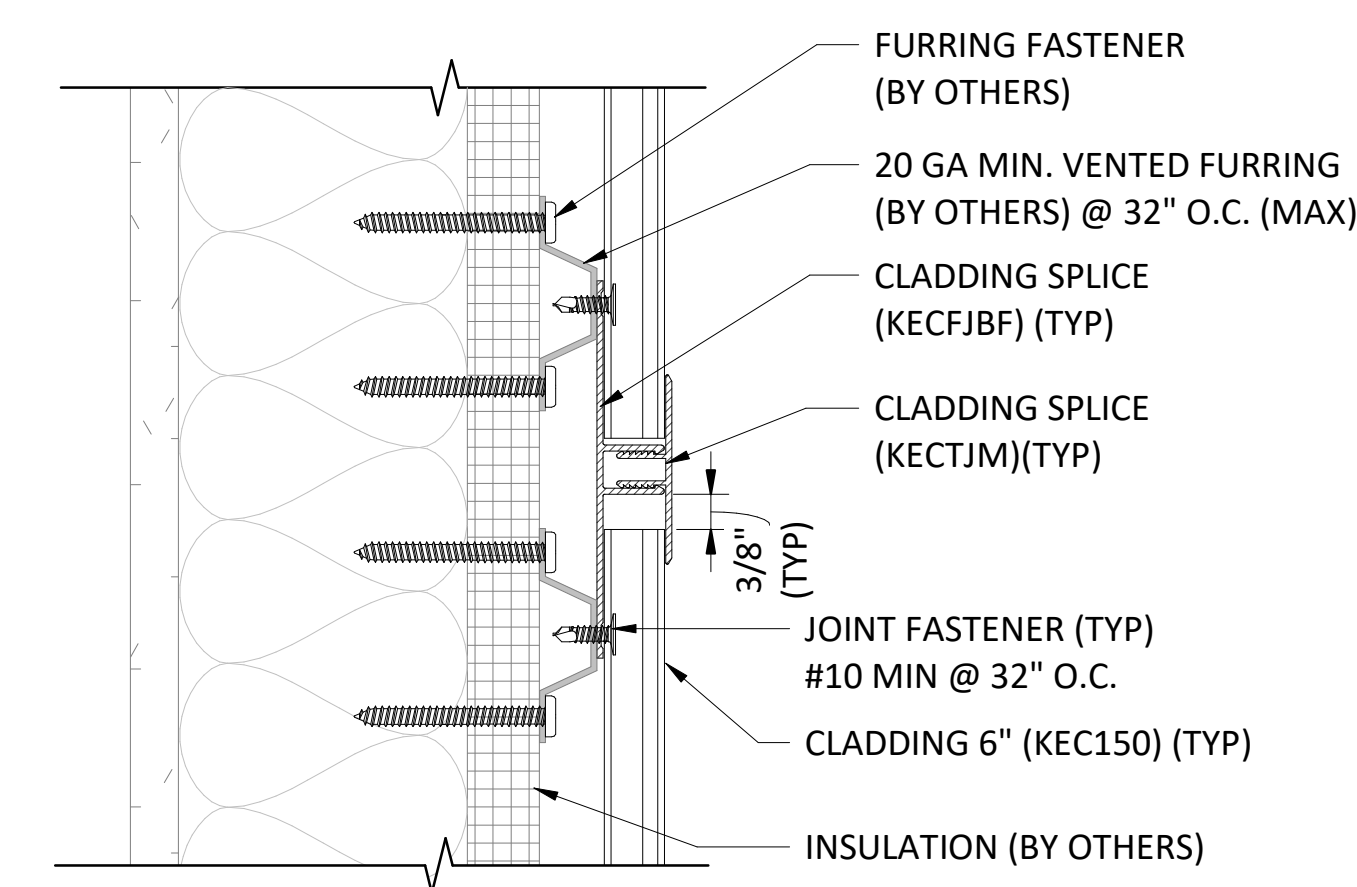
4 TYPICAL VERTICAL CLADDING W/METAL FURRING TO LG OUTSIDE CORNER DETAIL  
6" = 1'-0"



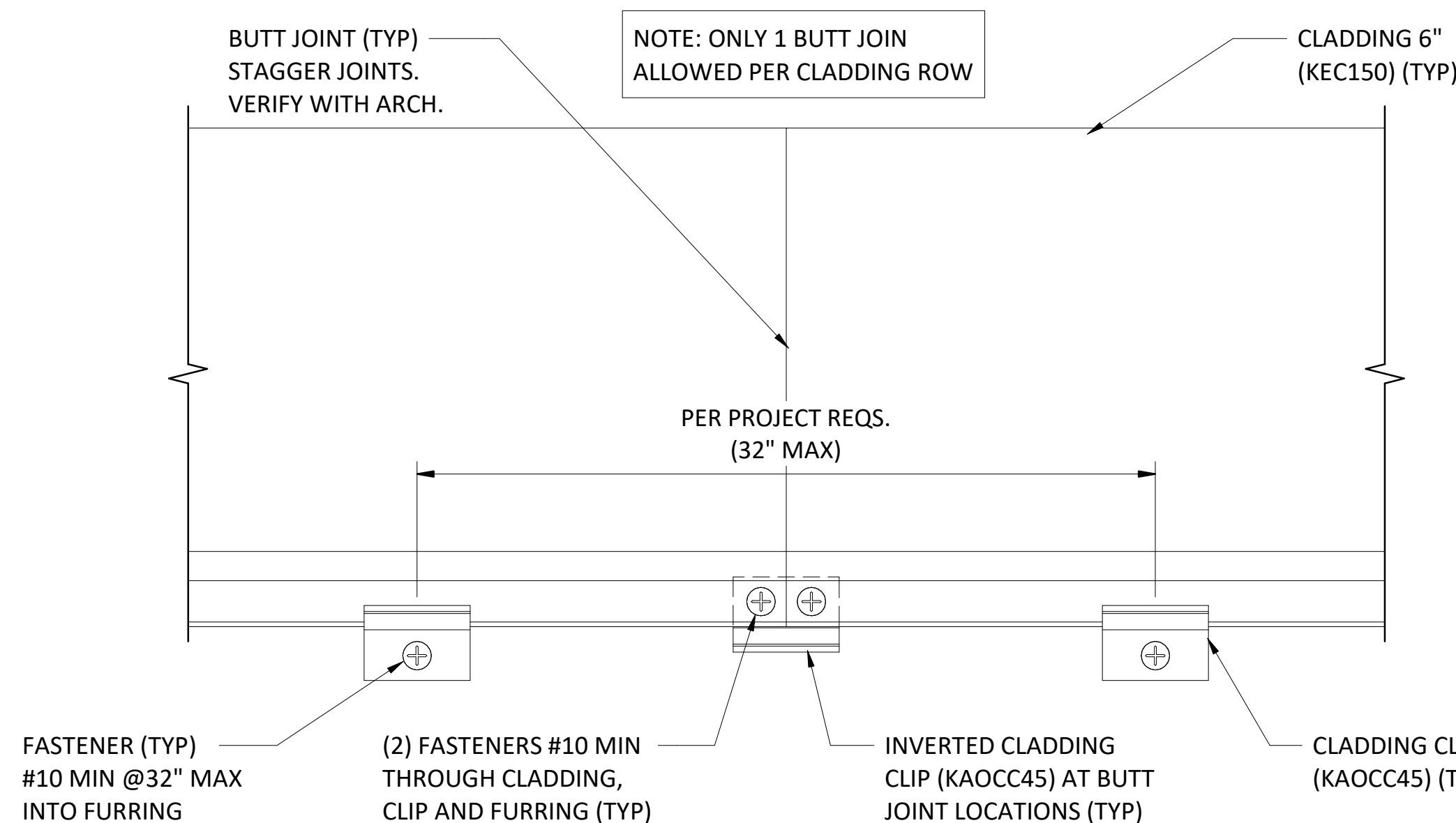
5 TYPICAL VERTICAL CLADDING W/METAL FURRING TO LG INSIDE CORNER DETAIL  
6" = 1'-0"



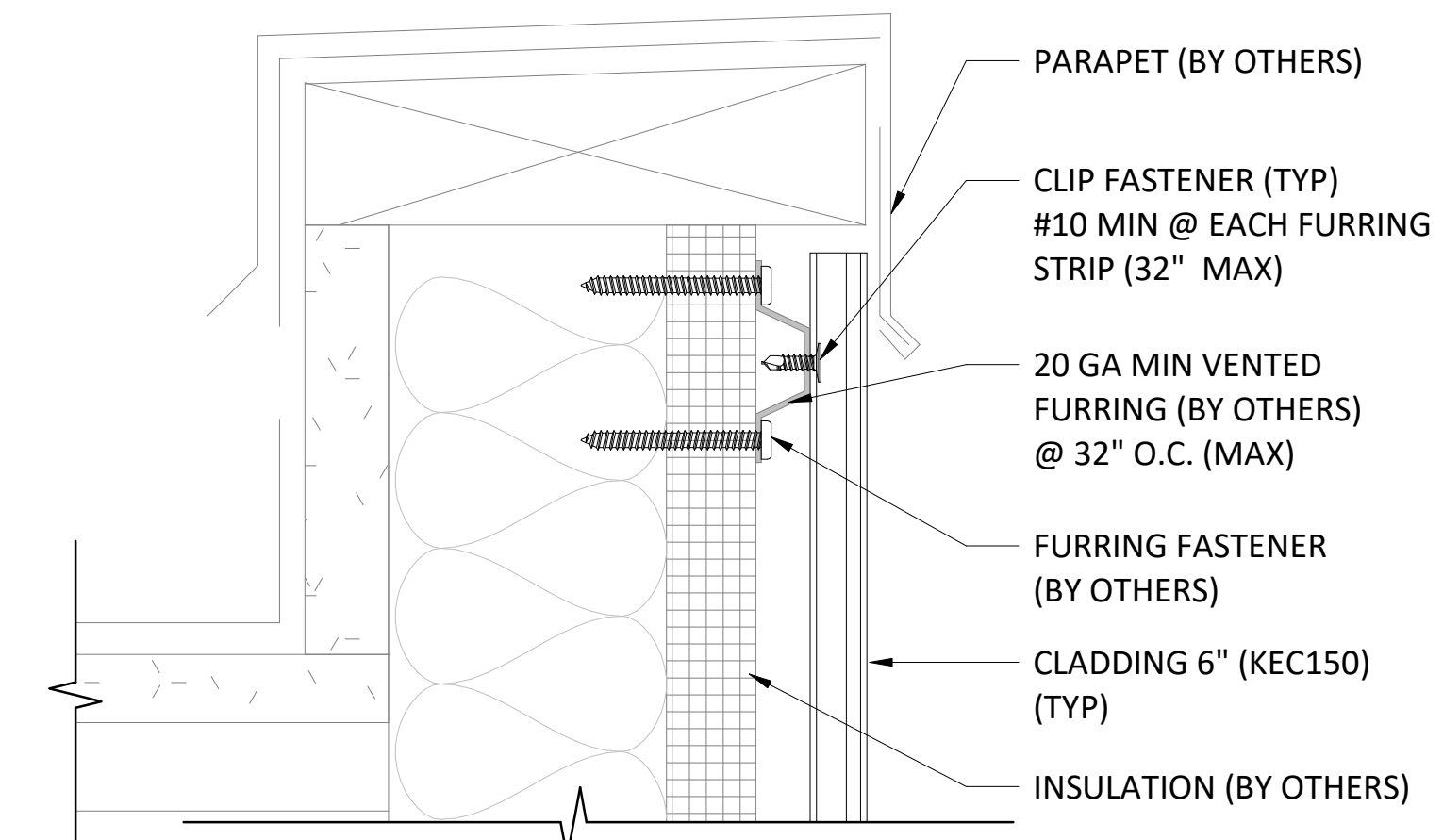
6 OPTIONAL VERTICAL CLADDING W/METAL FURRING TO LG INSIDE CORNER DETAIL  
6" = 1'-0"



7 TYPICAL VERTICAL CLADDING W/METAL FURRING TO LG SPLICE DETAIL  
6" = 1'-0"



8 VERTICAL CLADDING W/METAL FURRING TO LG BUTT JOINT SPLICE DETAIL  
6" = 1'-0"



9 TYPICAL PARAPET - VERTICAL CLADDING W/METAL FURRING TO LG EDGE DETAIL  
6" = 1'-0"

ISSUED FOR:  
 ISSUED DATE: 05/15/2024

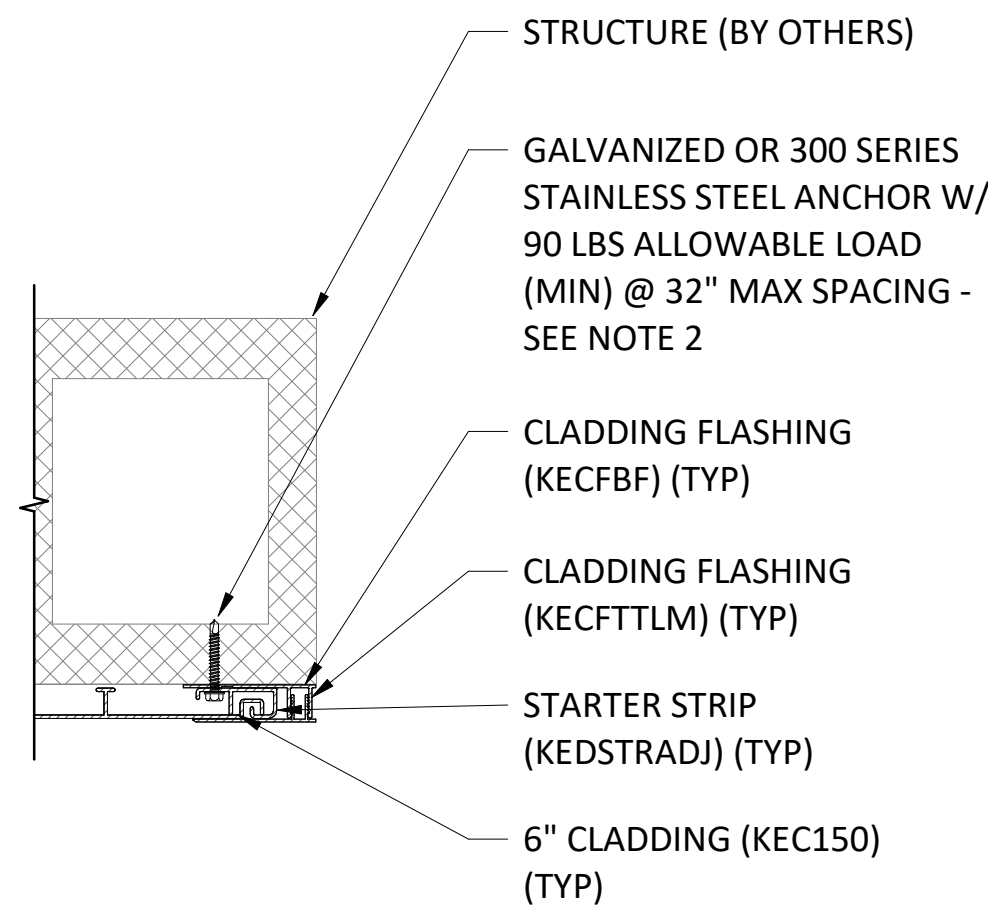
PLAN REVISIONS		
NO.	DATE	DESCRIPTION

PROJECT NAME:  
**KNOTWOOD - CLADDING & SOFFIT SHOP DRAWINGS**

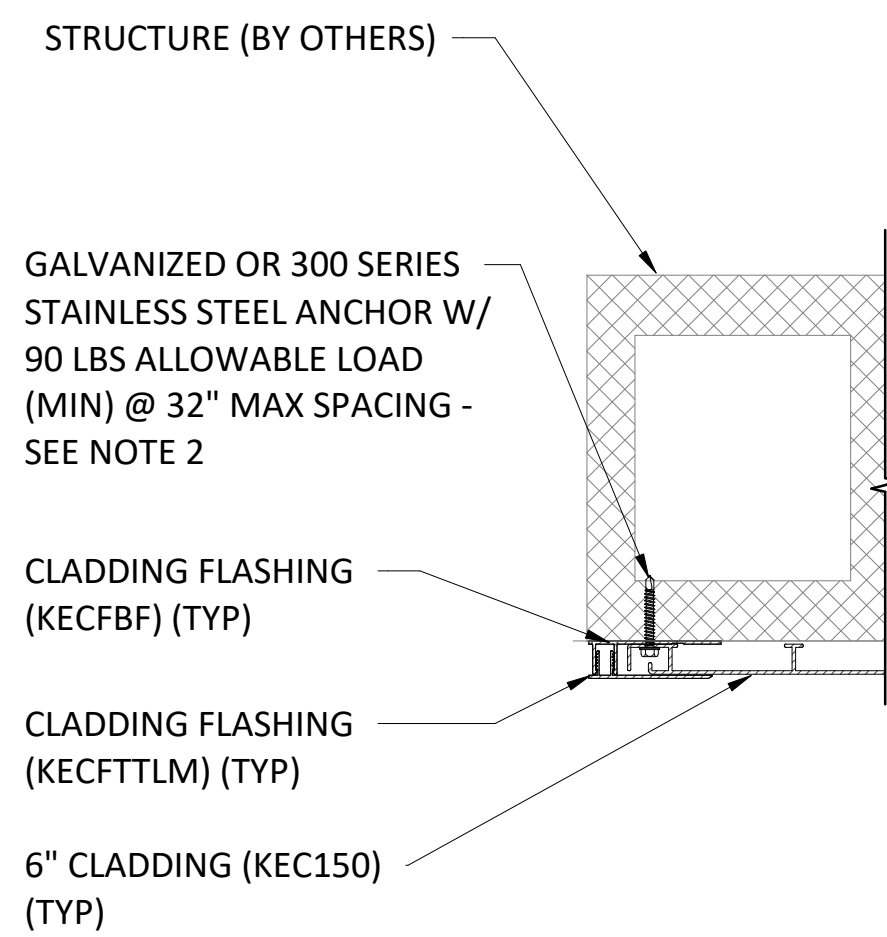
DRAWING NAME:  
**VERTICAL CLADDING METAL FURRING DETAILS**

SEAL & SIGNATURE  
 PROJECT NO: 2110314  
 DRAWN BY:  
 CHECKED BY:  
 DRAWING NO:  
**A-201a**  
 PAGE NO:

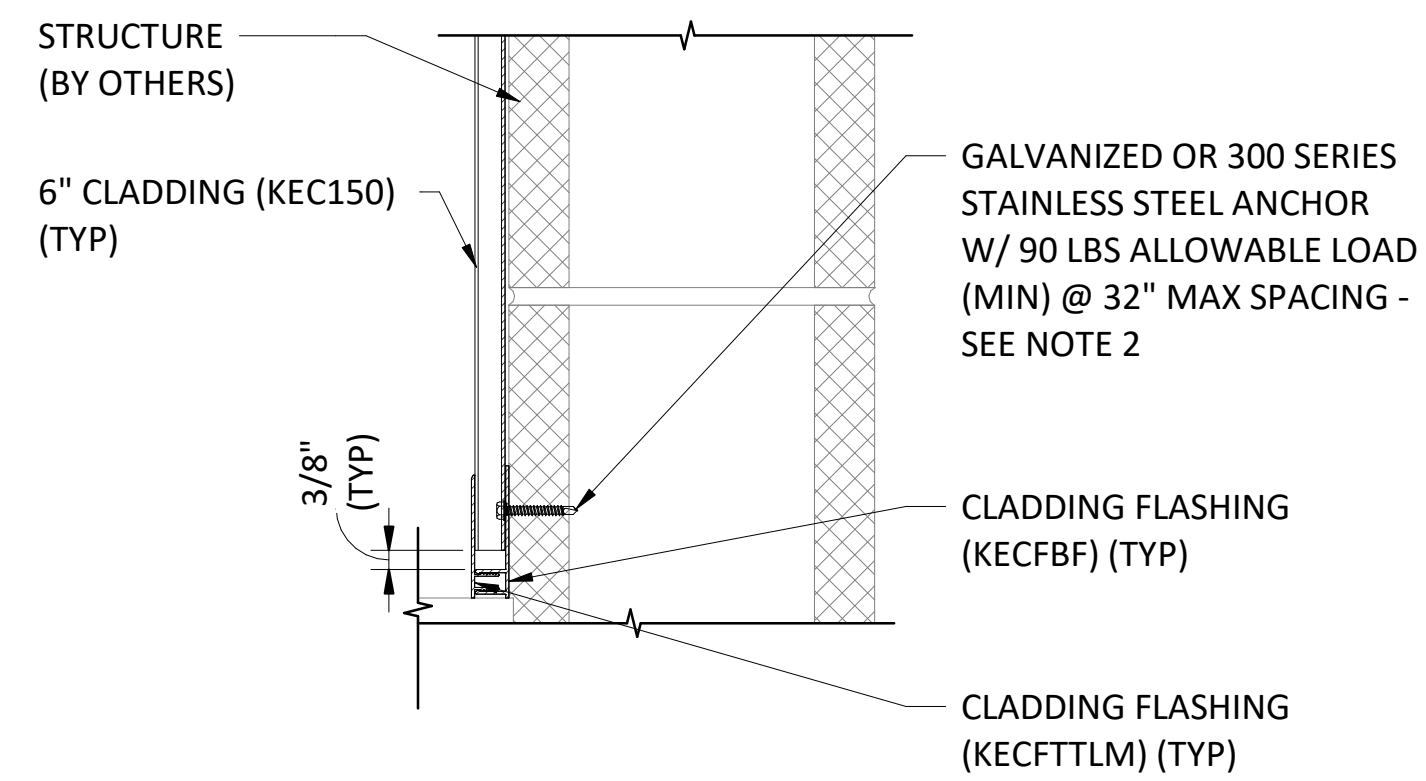
THE DESIGN CONCEPTS, LOGOS AND ALL ASSOCIATED INFORMATION SHOWN HEREIN IS THE SOLE PROPERTY OF PVE, LLC. THIS DOCUMENT HAS BEEN PREPARED SOLELY FOR THE BENEFIT OF THE PERSONS NAMED ABOVE AND FOR THE PROJECT NOTED ON THIS DOCUMENT. THE REPRODUCTION, ALTERATION, USE BY ANY THIRD PARTY, OR USE FOR ANY PURPOSE OTHER THAN SPECIFIED, WITHOUT WRITTEN CONSENT FROM PVE, LLC IS PROHIBITED UNDER A VIOLATION OF LAW. USE OF THIS DOCUMENT IS WITH FULL RESPONSIBILITY OF ALL INHERENT ERRORS OR OMISSIONS. ELECTRONIC COPIES OF THIS DOCUMENT SHALL BE SUBJECT TO THE SAME COPYRIGHT CONDITIONS AS STATED ABOVE. ELECTRONIC MEDIA MAY CONTAIN ERRORS OR SYSTEM INCOMPATIBILITIES. PVE, LLC IN ASSUANCE OF THIS DOCUMENT, MAKES NO GUARANTEE AS TO THE ACCURACY OF THE ELECTRONIC DATA OR THE GENERAL RESPONSIBILITY OF THIS DOCUMENT.  
 © PVE, LLC 2023



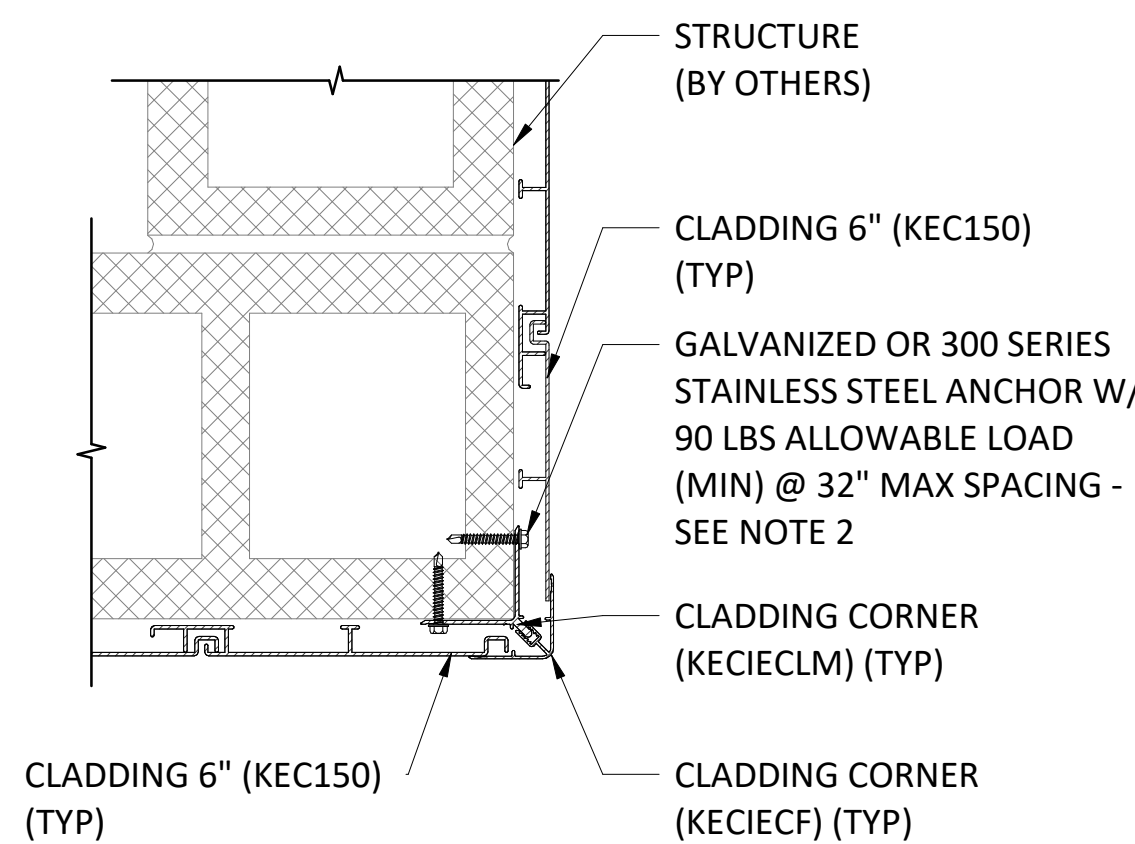
1 TYPICAL VERTICAL CLADDING TO CMU EDGE STARTER DETAIL  
 3" = 1'-0"



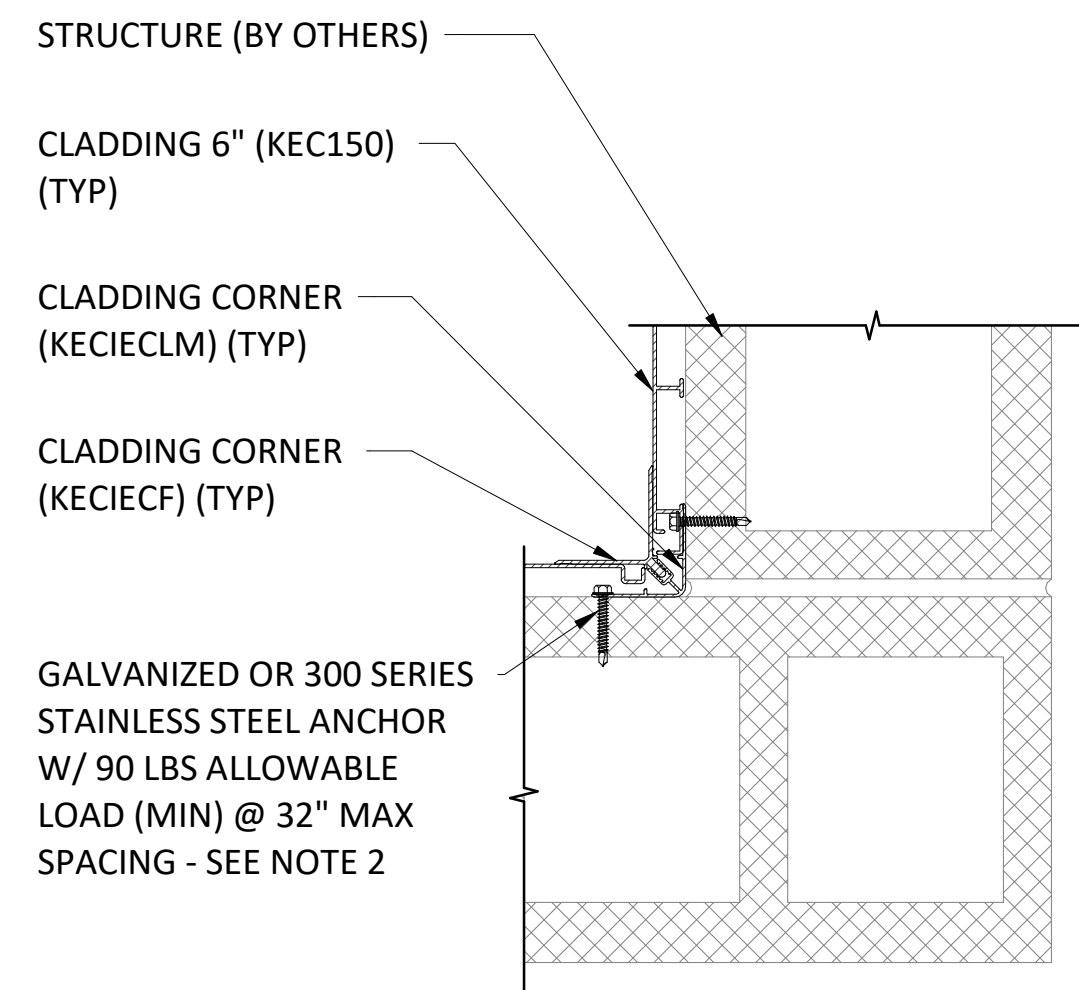
2 TYPICAL VERTICAL CLADDING TO CMU EDGE DETAIL I  
 3" = 1'-0"



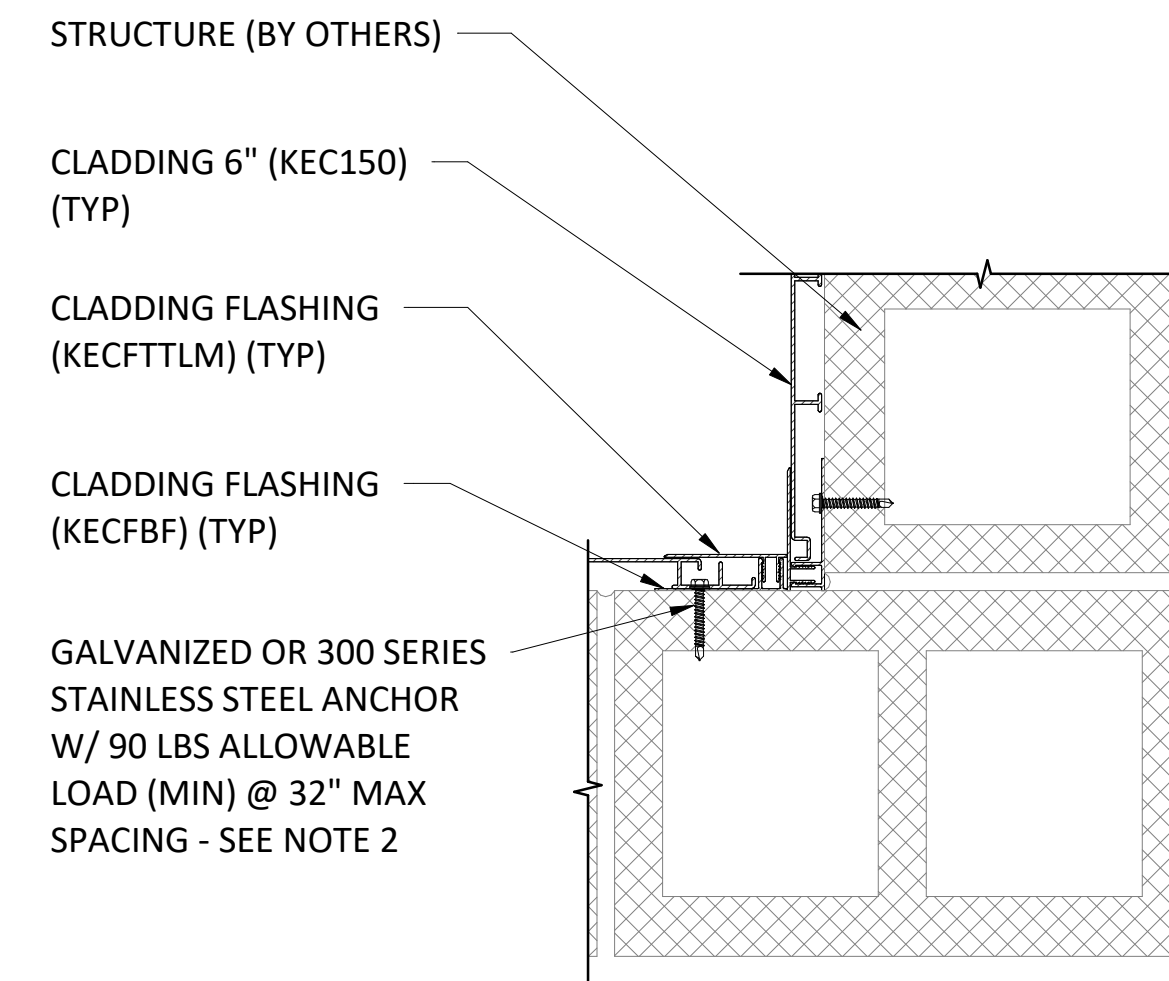
3 TYPICAL VERTICAL CLADDING TO CMU EDGE DETAIL II  
 3" = 1'-0"



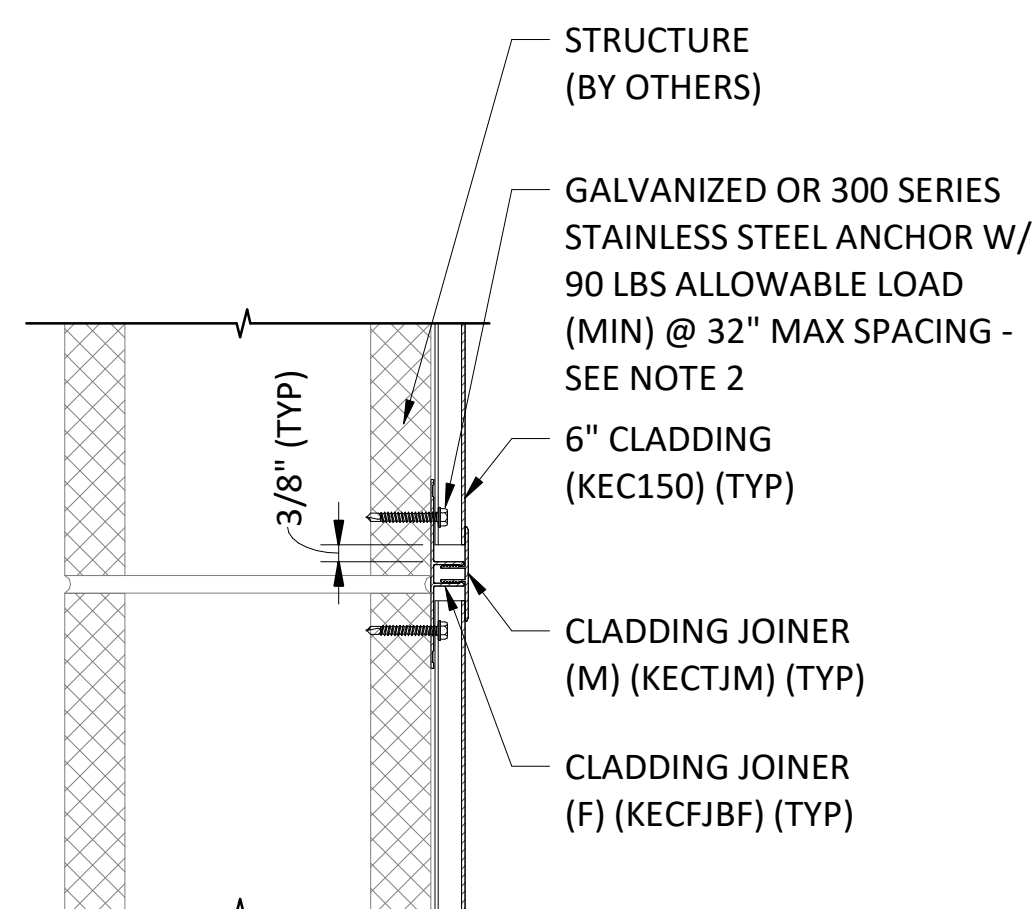
4 TYPICAL VERTICAL CLADDING TO CMU CORNER DETAIL  
 3" = 1'-0"



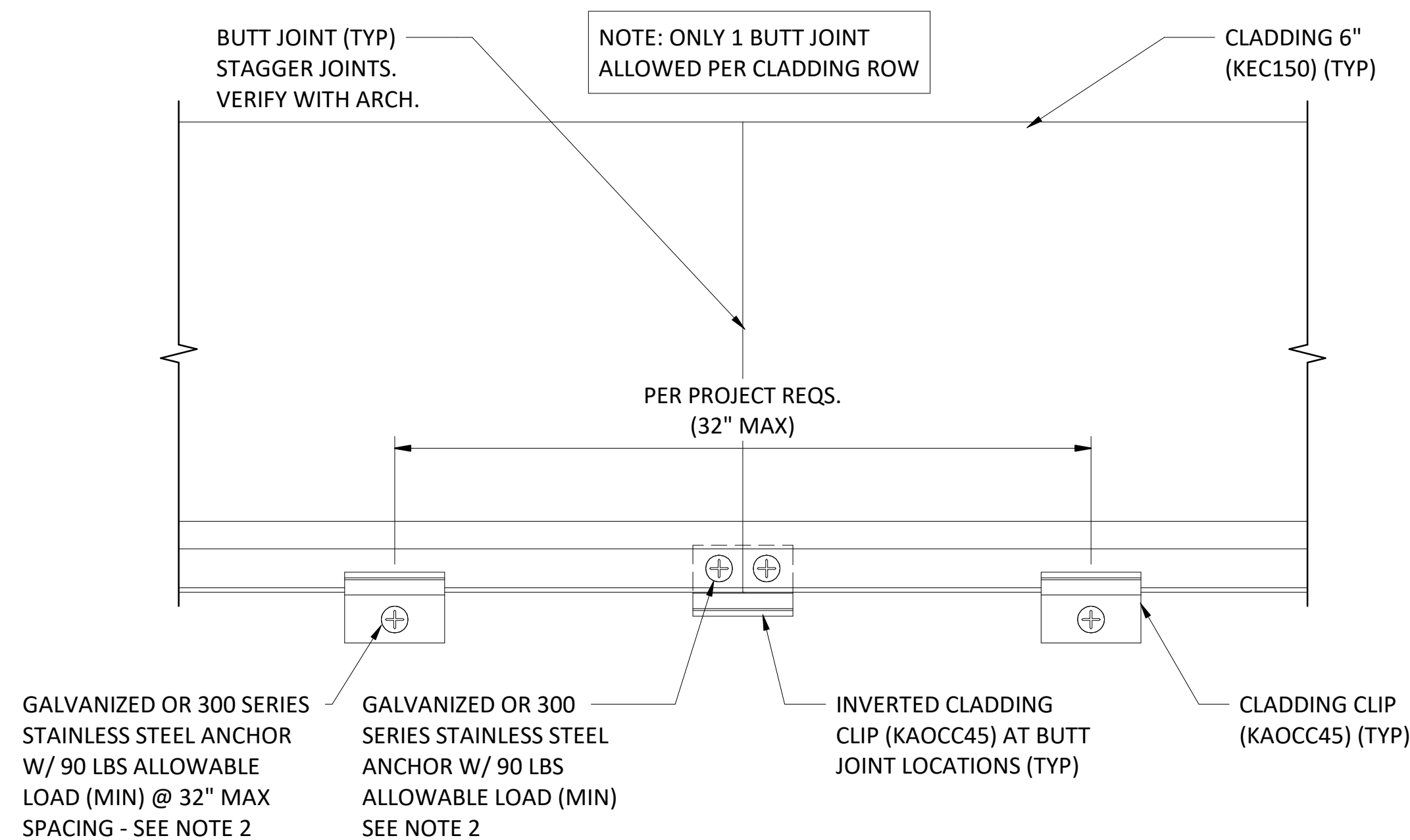
5 TYPICAL VERTICAL CLADDING TO CMU INSIDE CORNER  
 3" = 1'-0"



6 OPTIONAL VERTICAL CLADDING TO CMU INTERIOR CORNER DETAIL  
 3" = 1'-0"



7 TYPICAL VERTICAL CLADDING TO CMU SPLICE DETAIL  
 3" = 1'-0"



8 TYPICAL VERTICAL CLADDING TO CMU BUTT JOINT DETAIL  
 6" = 1'-0"

- NOTE, KEC150 TYPICAL CLADDING USED, KED150 MAY BE SUBSTITUTED WITHOUT EXCEPTION.
- ALL MANUFACTURER INSTALLATION INSTRUCTIONS SHALL BE FOLLOWED FOR POST-INSTALLED ANCHORS.

PLAN REVISIONS		
NO.	DATE	DESCRIPTION

THE DESIGN, CONCEPTS, LOGOS, AND ALL ASSOCIATED INFORMATION DEPICTED HEREIN IS THE SOLE PROPERTY OF PVE, LLC. THIS DOCUMENT HAS BEEN PREPARED SOLELY FOR THE BENEFIT OF THE PERSONNEL NAMED ABOVE AND FOR THE PROJECT NOTED ON THIS DOCUMENT. THE REPRODUCTION, ALTERATION, USE BY ANY THIRD PARTY, OR USE FOR ANY PURPOSE OTHER THAN PROJECTS, WITHOUT WRITTEN CONSENT FROM PVE, LLC IS PROHIBITED AND A VIOLATION OF LAW. USE OF THIS DOCUMENT IS WITH FULL RESPONSIBILITY OF ALL INHERENT ERRORS OR OMISSIONS. ELECTRONIC COPIES OF THIS DOCUMENT SHALL BE SUBJECT TO THE SAME COPYRIGHT CONDITIONS AS STATED ABOVE. ELECTRONIC MEDIA MAY CONTAIN ERRORS OR SYSTEM INCOMPATIBILITIES. PVE, LLC IN ASSUANCE OF THIS DOCUMENT, MAKES NO GUARANTEE AS TO THE ACCURACY OF THE ELECTRONIC DATA OR THE GENERAL RESPONSIBILITY OF THIS DOCUMENT.  
 © PVE, LLC 2023

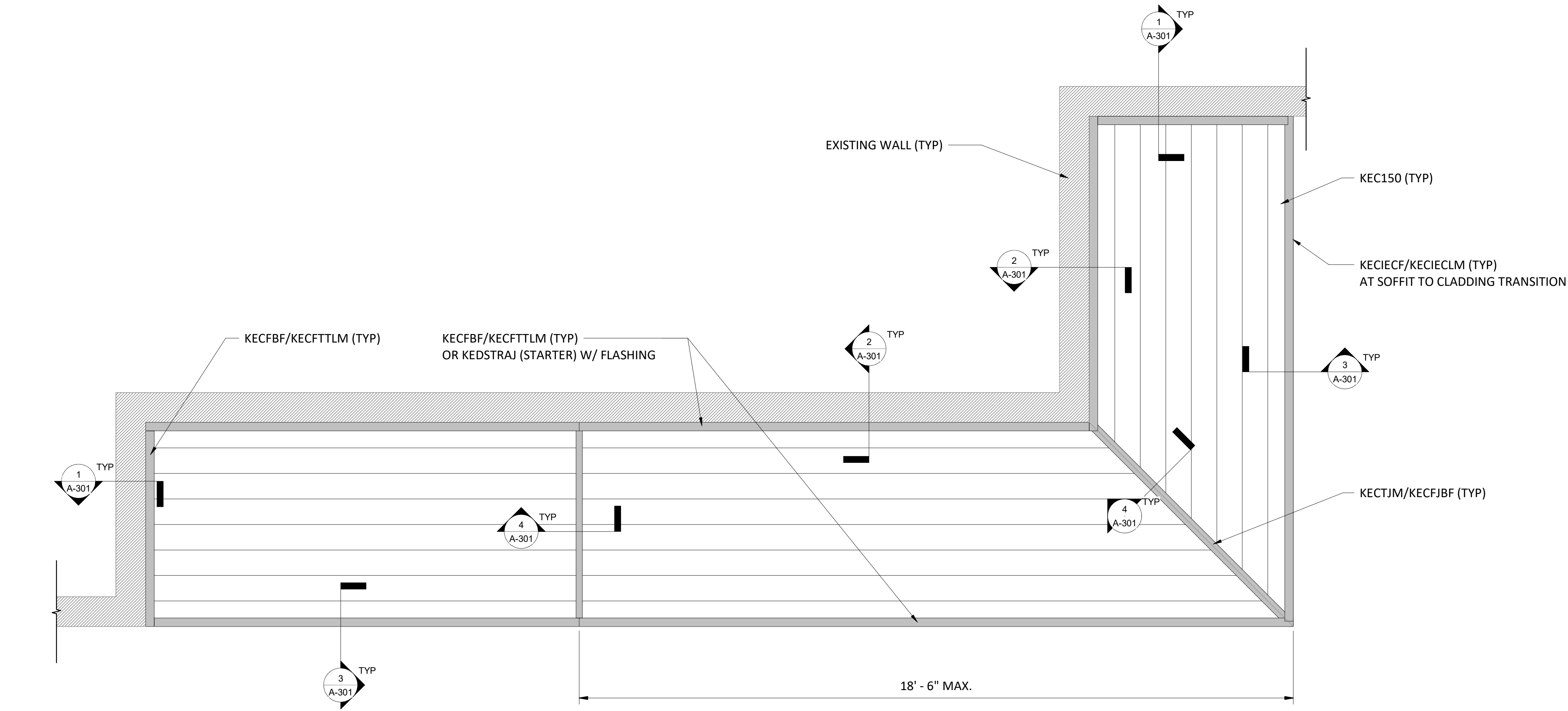
PROJECT NAME:  
 KNOTWOOD - CLADDING & SOFFIT SHOP DRAWINGS

PROJECT LOCATION:

DRAWING NAME:  
 VERTICAL CLADDING CMU DETAILS

SEAL & SIGNATURE	PROJECT NO:	2110314
	DRAWN BY:	
	CHECKED BY:	
	DRAWING NO:	A-201b
PAGE NO:		

1. FINAL LAYOUT MAY VARY, THE CONTRACTOR SHALL FIELD VERIFY ALL DIMENSIONS PRIOR TO COMMENCEMENT OF ANY WORK.
2. FINAL CLADDING SPlice LOCATIONS TO BE COORDINATED BY THE G.C.
3. NOTE, KEC150 TYPICAL CLADDING USED, KED 150 MAY BE SUBSTITUTED WITHOUT EXCEPTION.



① TYPICAL PARALLEL SOFFIT RCP VIEW (CLADDING PARALLEL TO LONG WALL)  
 3/4" = 1'-0"

PREPARED FOR:  
**K KNOTWOOD™**  
 Stunning Aluminum  
 5555 W Roosevelt St  
 Phoenix, AZ 85043

ISSUED FOR:  
 ISSUED DATE: 05/15/2024

PLAN REVISIONS		
NO.	DATE	DESCRIPTION

THE DESIGN, CONCEPTS, LOGOS, AND ALL ASSOCIATED INFORMATION DEPICTED HEREIN IS THE SOLE PROPERTY OF PVE, LLC. THIS DOCUMENT HAS BEEN PREPARED SOLELY FOR THE BENEFIT OF THE PERSONS NAMED ABOVE AND FOR THE PROJECT NOTED ON THIS DOCUMENT. THE REPRODUCTION, ALTERATION, USE BY ANY THIRD PARTY, OR USE FOR ANY PURPOSE OTHER THAN SPECIFIED, WITHOUT WRITTEN CONSENT FROM PVE, LLC IS PROHIBITED AND A VIOLATION OF LAW. USE OF THIS DOCUMENT IS WITH FULL RESPONSIBILITY OF ALL INHERENT ERRORS OR OMISSIONS. ELECTRONIC COPIES OF THIS DOCUMENT SHALL BE SUBJECT TO THE SAME COPYRIGHT CONDITIONS AS STATED ABOVE. ELECTRONIC MEDIA MAY CONTAIN ERRORS OR SYSTEM INCOMPATIBILITIES. PVE, LLC IN ISSUANCE OF THIS DOCUMENT, AGREES TO GUARANTEE AS TO THE ACCURACY OF THE ELECTRONIC DATA, AND THE GENERAL RELIABILITY OF THIS DOCUMENT.  
 © PVE, LLC 2023

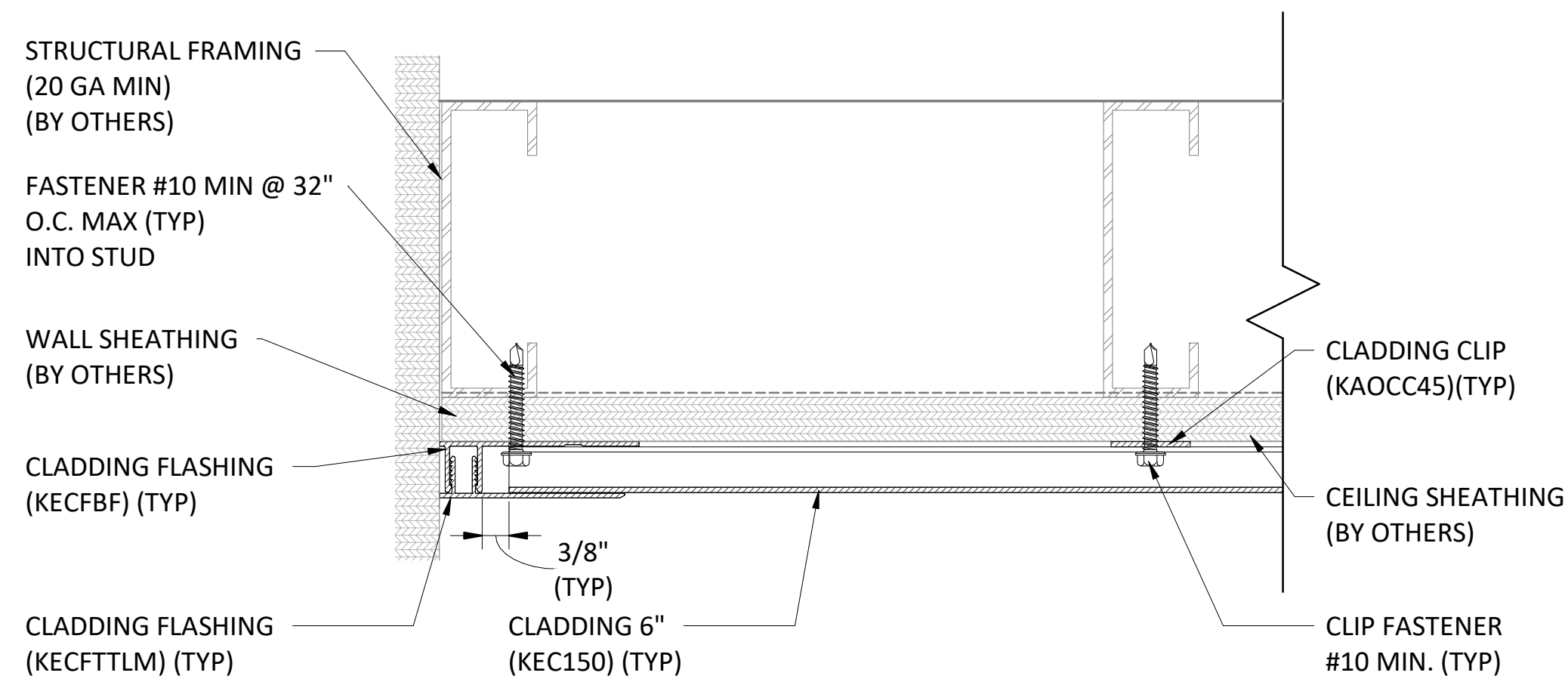
PROJECT NAME:  
 KNOTWOOD - CLADDING & SOFFIT SHOP DRAWINGS

PROJECT LOCATION:

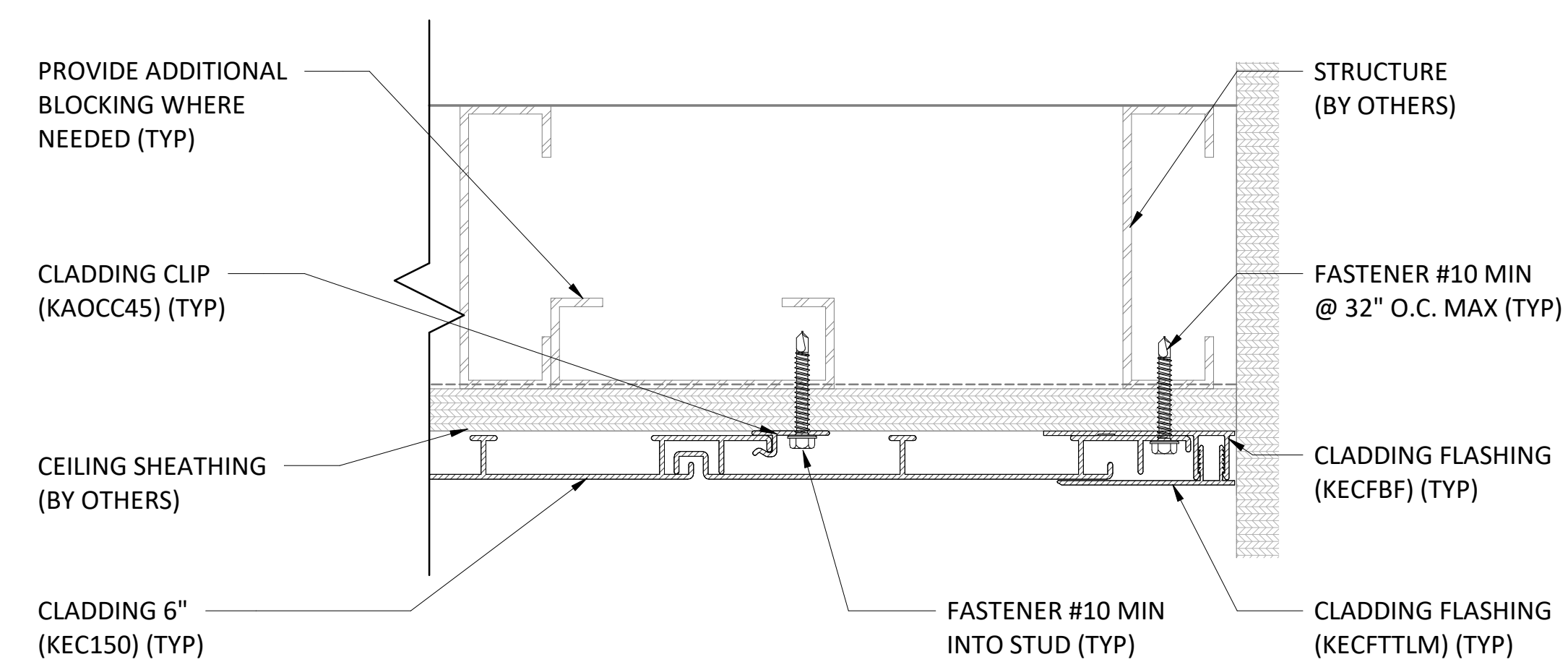
DRAWING NAME:  
 PARALLEL SOFFIT PLAN VIEW

SEAL & SIGNATURE	PROJECT NO:	2110314
	DRAWN BY:	
	CHECKED BY:	
	DRAWING NO:	A-300
PAGE NO:		

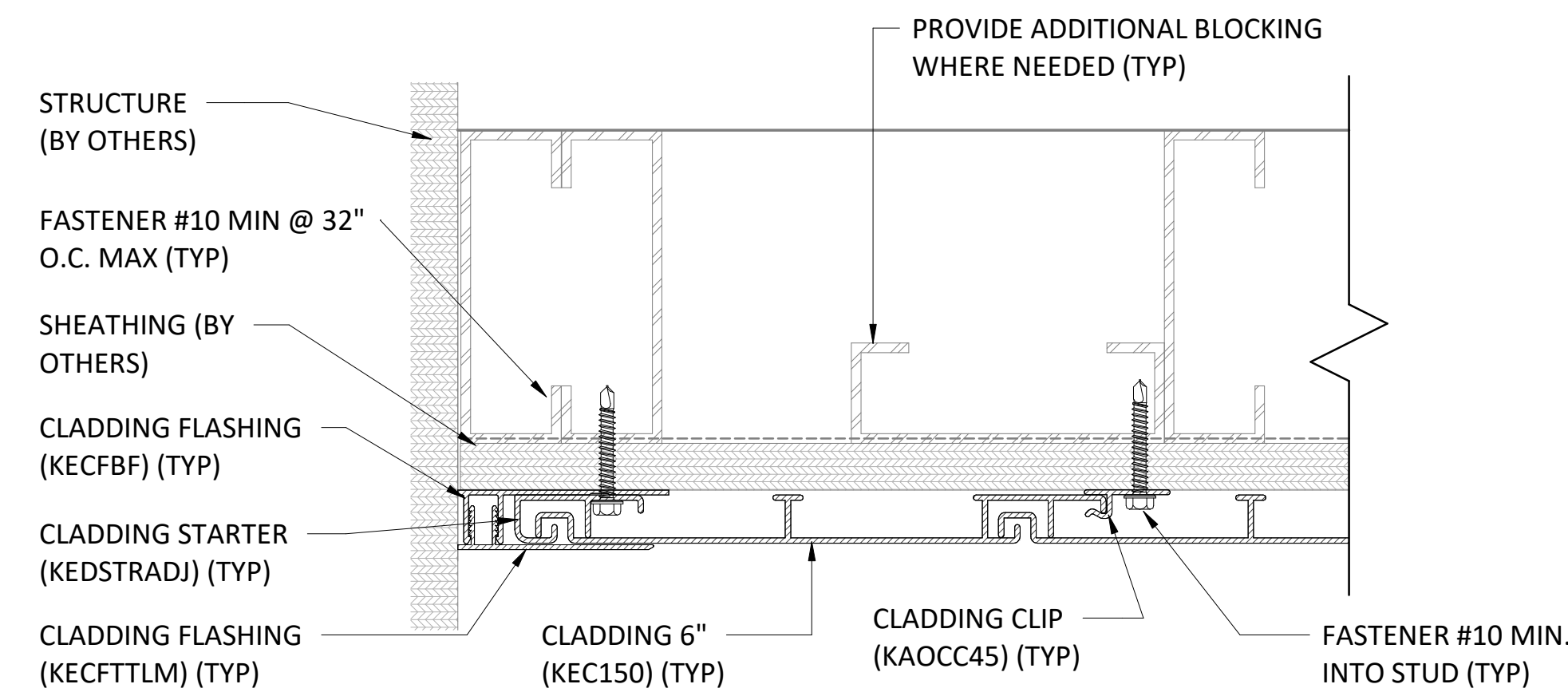
1. NOTE, KEC150 TYPICAL CLADDING USED, KED150 MAY BE SUBSTITUTED WITHOUT EXCEPTION.



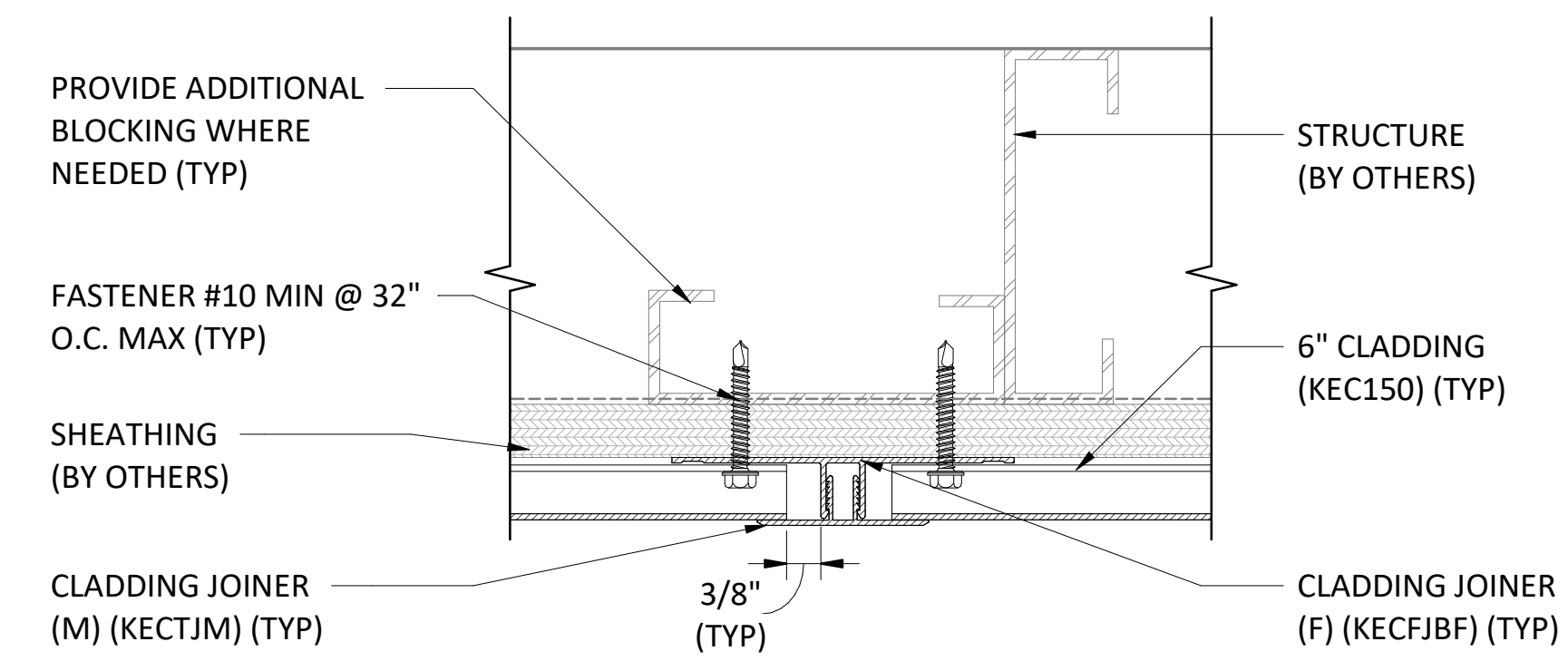
① TYPICAL SOFFIT WALL EDGE DETAIL I (SOFFIT PERPENDICULAR TO CEILING FRAMING)  
 6" = 1'-0"



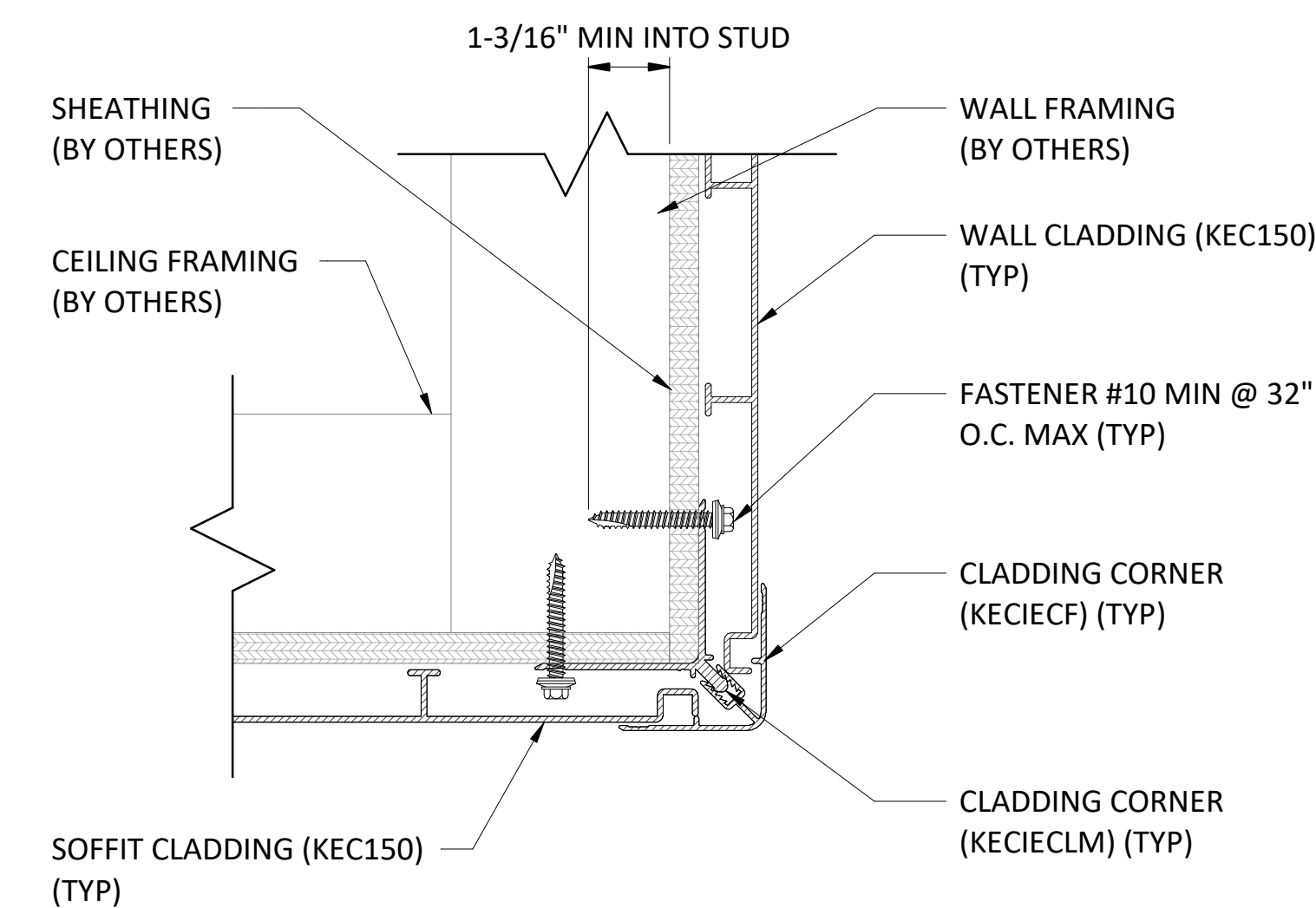
② TYPICAL SOFFIT WALL EDGE DETAIL II (SOFFIT PARALLEL TO CEILING FRAMING)  
 6" = 1'-0"



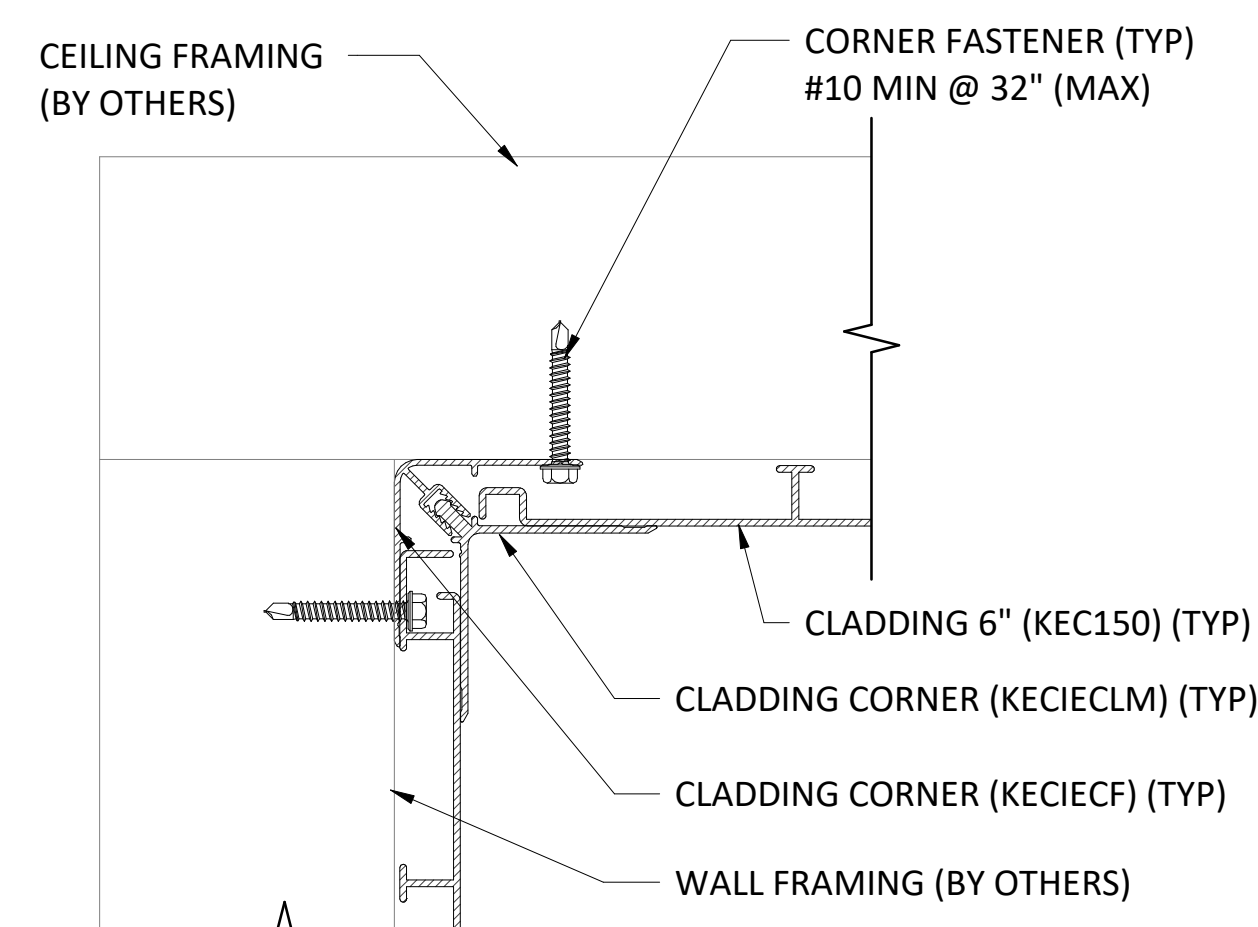
③ TYPICAL SOFFIT STARTER DETAIL  
 6" = 1'-0"



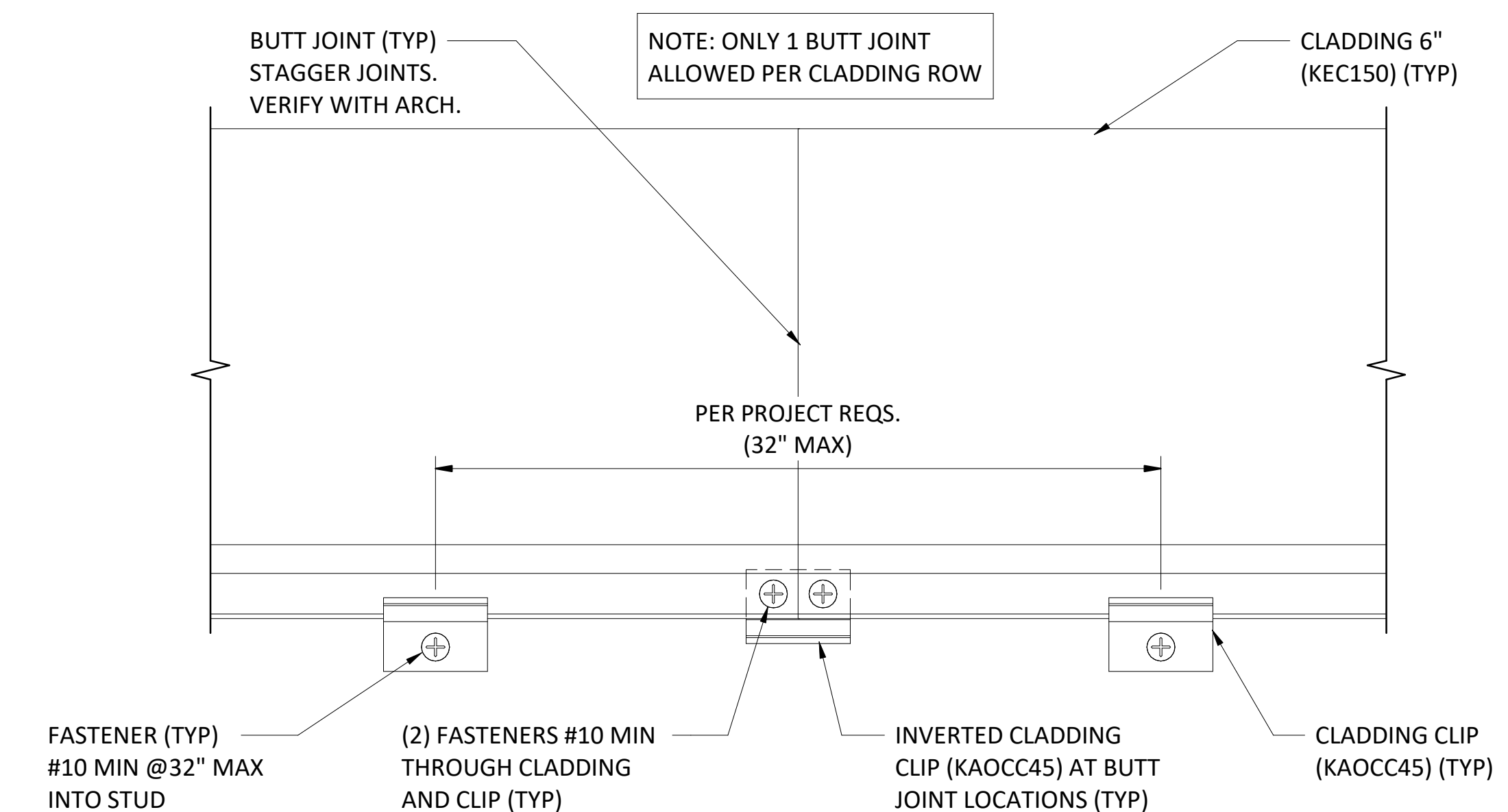
④ TYPICAL SOFFIT SPLICE DETAIL  
 6" = 1'-0"



⑤ TYPICAL SOFFIT OUTSIDE CORNER CEILING TO WALL TRANSITION DETAIL  
 6" = 1'-0"



⑥ TYPICAL SOFFIT INSIDE CORNER CALL TO CEILING TRANSITION DETAIL  
 6" = 1'-0"



⑦ TYPICAL SOFFIT CLADDING BUTT JOINT DETAIL  
 6" = 1'-0"

ISSUED FOR:  
 ISSUED DATE: 05/15/2024

PLAN REVISIONS		
NO.	DATE	DESCRIPTION

PROJECT NAME:  
 KNOTWOOD - CLADDING & SOFFIT SHOP DRAWINGS

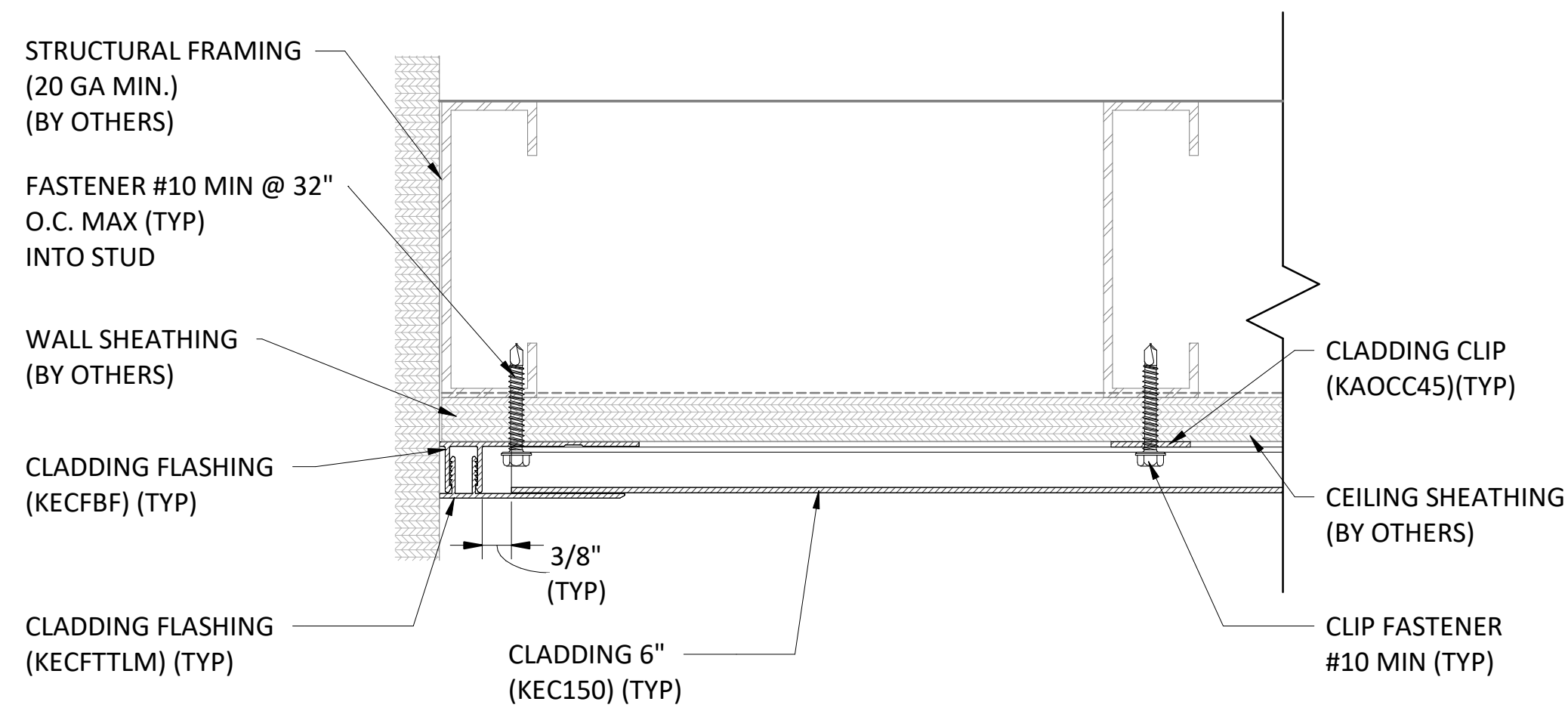
PROJECT LOCATION:  
 DRAWING NAME:  
 PARALLEL SOFFIT TYPICAL DETAILS

SEAL & SIGNATURE

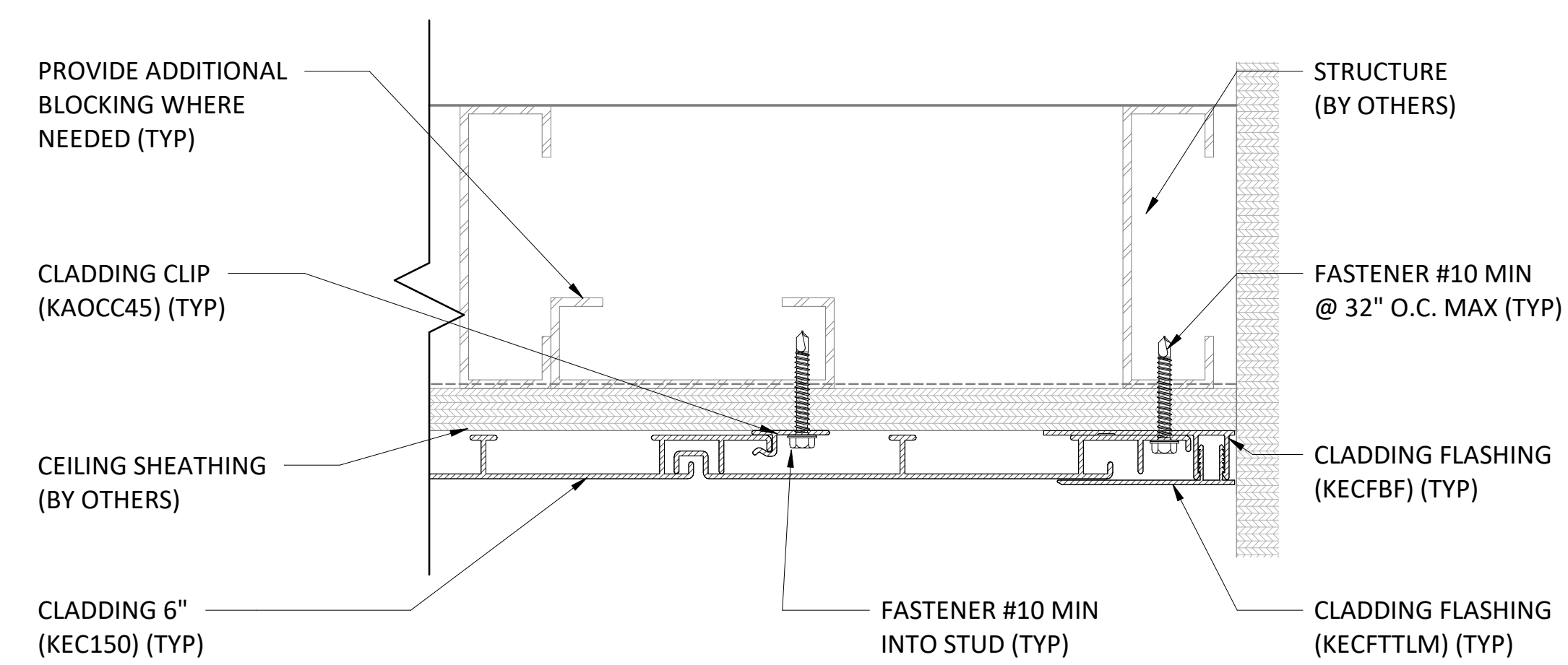
PROJECT NO:	2110314
DRAWN BY:	
CHECKED BY:	
DRAWING NO:	A-301
PAGE NO:	



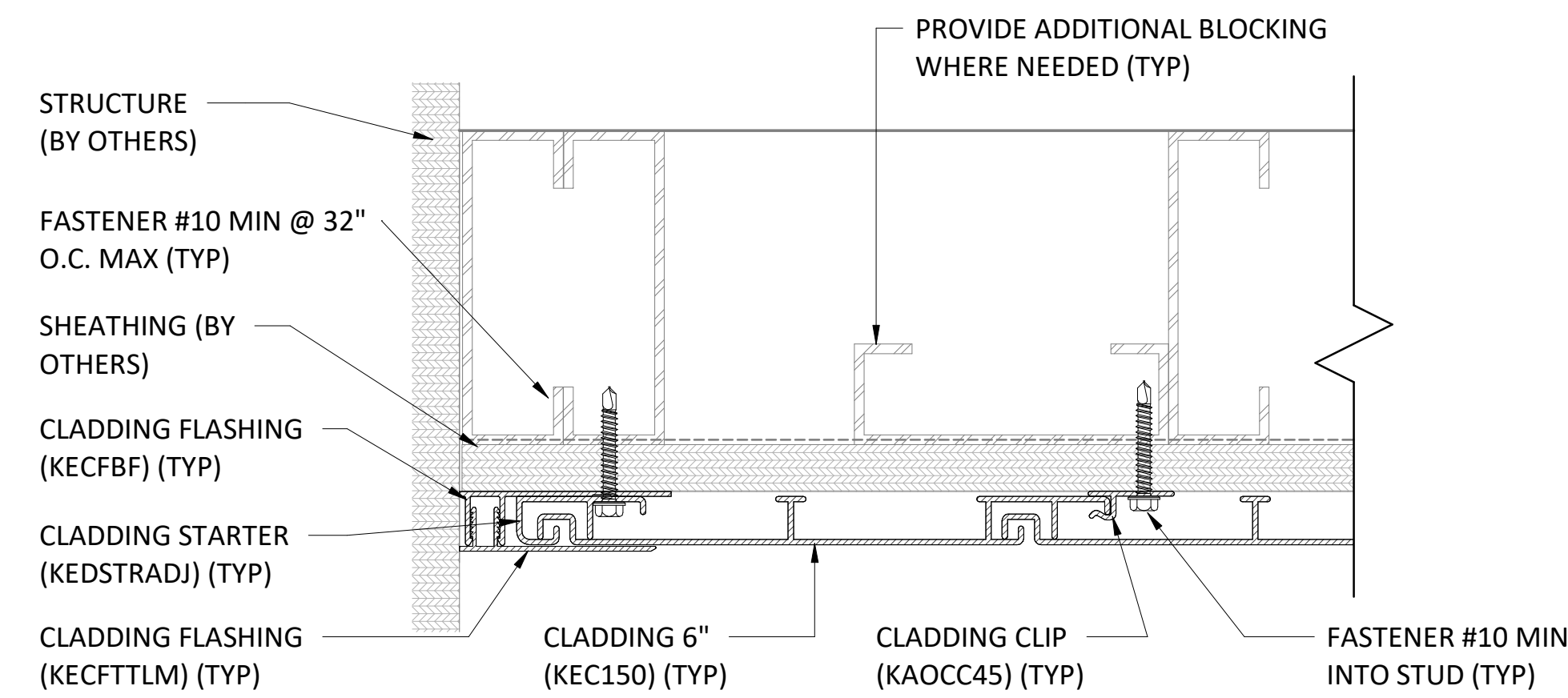
1. NOTE, KEC150 TYPICAL CLADDING USED, KED150 MAY BE SUBSTITUTED WITHOUT EXCEPTION.



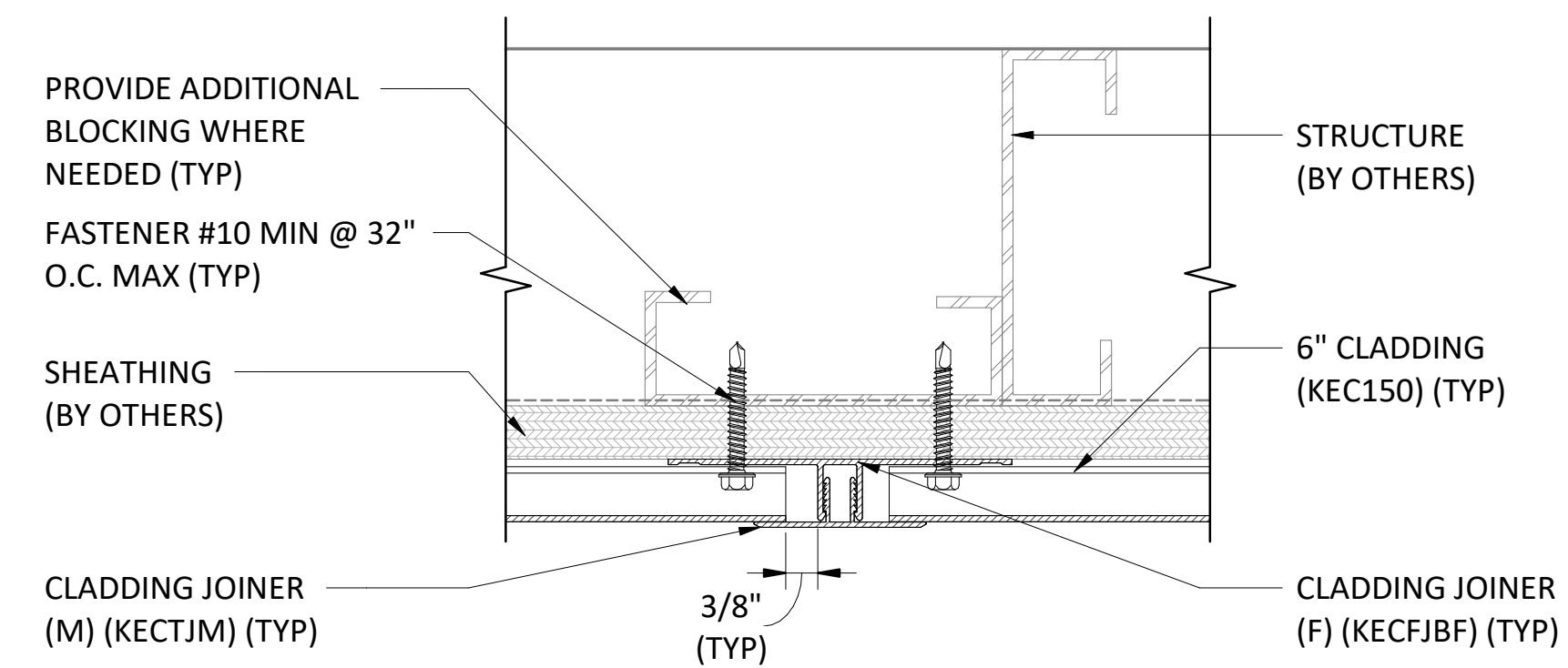
① TYPICAL SOFFIT WALL EDGE DETAIL I (SOFFIT PARALLEL TO CEILING FRAMING)  
 6" = 1'-0"



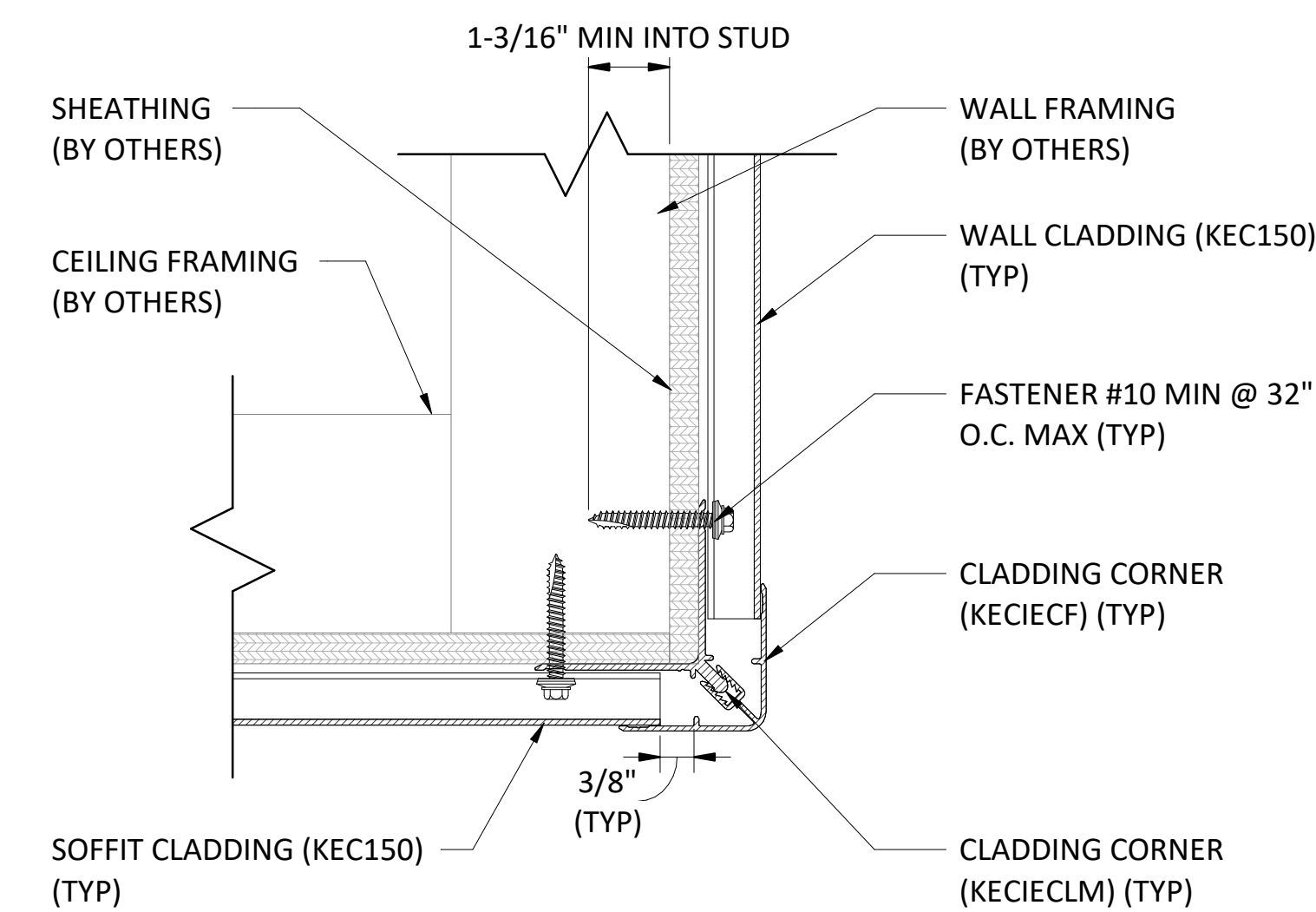
② TYPICAL SOFFIT WALL EDGE DETAIL II (SOFFIT PERPENDICULAR TO CEILING FRAMING)  
 6" = 1'-0"



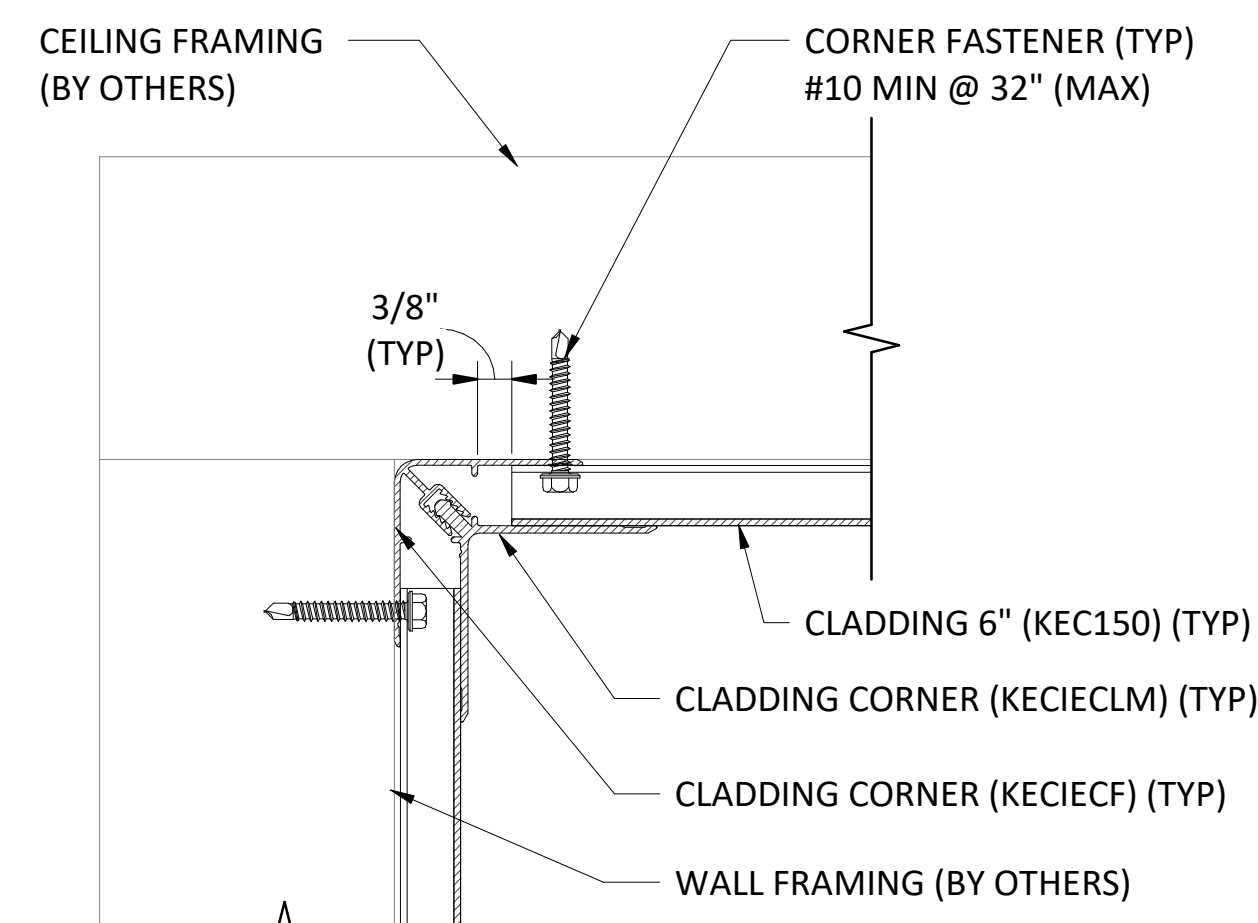
③ TYPICAL SOFFIT STARTER DETAIL  
 6" = 1'-0"



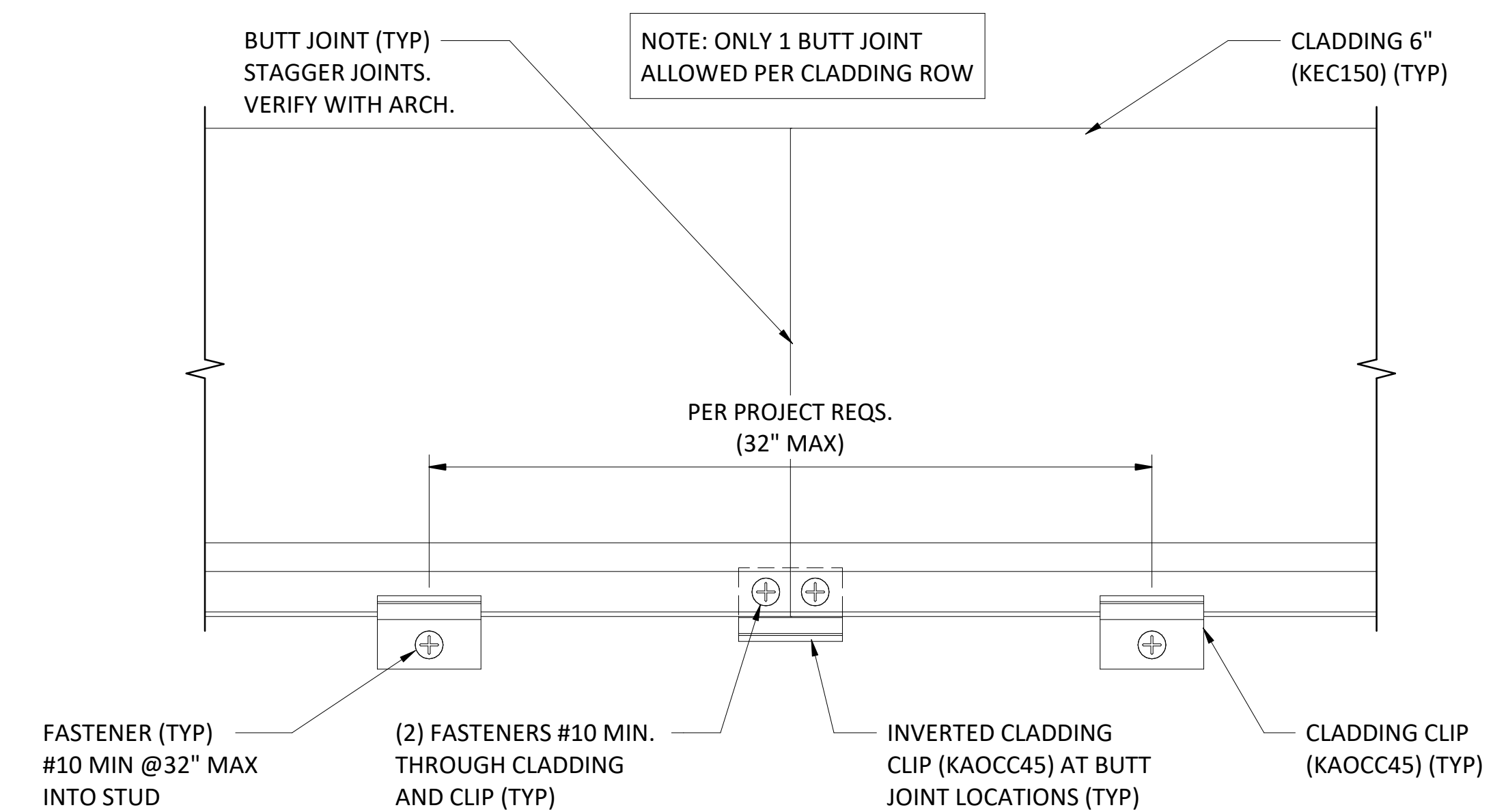
④ TYPICAL SOFFIT SPLICE DETAIL  
 6" = 1'-0"



⑤ TYPICAL SOFFIT OUTSIDE CORNER CEILING TO WALL TRANSITION DETAIL  
 6" = 1'-0"



⑥ TYPICAL SOFFIT INSIDE CORNER CALL TO CEILING TRANSITION DETAIL  
 6" = 1'-0"



⑦ TYPICAL SOFFIT CLADDING BUTT JOINT DETAIL  
 6" = 1'-0"

ISSUED FOR:  
 ISSUED DATE: 05/15/2024

PLAN REVISIONS		
NO.	DATE	DESCRIPTION

THE DESIGN, CONCEPTS, LOGOS, AND ALL ASSOCIATED INFORMATION DEPICTED HEREIN IS THE SOLE PROPERTY OF PVE, LLC. THIS DOCUMENT HAS BEEN PREPARED SOLELY FOR THE BENEFIT OF THE PERSONS NAMED ABOVE AND FOR THE PROJECT NOTED ON THIS DOCUMENT. THE REPRODUCTION, ALTERATION, USE BY ANY THIRD PARTY, OR USE FOR ANY PURPOSE OTHER THAN PROJECTS, WITHOUT WRITTEN CONSENT FROM PVE, LLC IS PROHIBITED AND AN VIOLATION OF LAW. USE OF THIS DOCUMENT IS WITH FULL RESPONSIBILITY OF ALL INHERENT ERRORS OR OMISSIONS. ELECTRONIC COPIES OF THIS DOCUMENT SHALL BE SUBJECT TO THE SAME COPYRIGHT CONDITIONS AS STATED ABOVE. ELECTRONIC MEDIA MAY CONTAIN ERRORS OR SYSTEM INCOMPATIBILITIES. PVE, LLC IN ISSUANCE OF THIS DOCUMENT, MAKES NO GUARANTEE AS TO THE ACCURACY OF THE ELECTRONIC DATA AND THE GENERAL RESPONSIBILITY OF THIS DOCUMENT.  
 © PVE, LLC 2023

PROJECT NAME:  
 KNOTWOOD - CLADDING & SOFFIT SHOP DRAWINGS

PROJECT LOCATION:

DRAWING NAME:  
 PERPENDICULAR SOFFIT TYPICAL DETAILS

SEAL & SIGNATURE	PROJECT NO:	2110314
	DRAWN BY:	
	CHECKED BY:	
	DRAWING NO:	A-401
	PAGE NO:	