



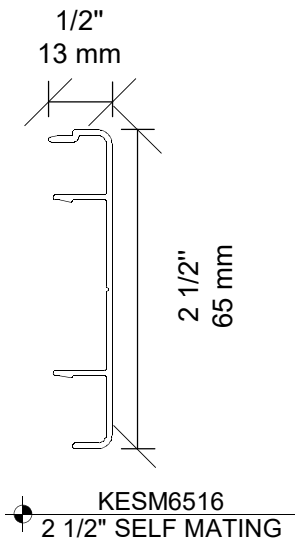
2 1/2" Self Mating KESM6516 (Special Order Item)

SPECIFICATIONS

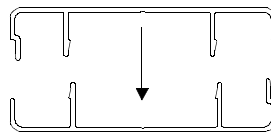
Imperial Size:	2 1/2" x 5/8" x 18'6"
Metric Size:	65mm x 16mm x 5650mm
Material Thickness:	2.0mm
Uses:	Soffit, Cladding, Fascia, Column
Weight per Piece:	4.16 LBS / 1.89KG
Weight /Linear Foot:	0.23 LBS / 0.11KG
Case Quantity:	120 Pieces

FEATURES

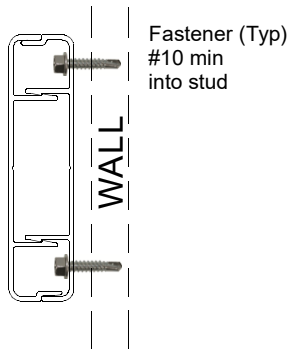
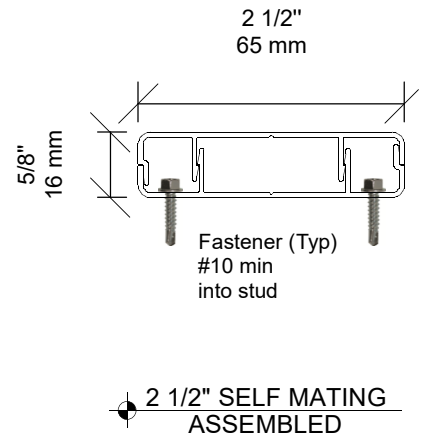
- 18'6" / 5650mm Long
- Very easy assembly
- Concealed Fastening
- 2 part Assembly
- Fastening every 32" or less
- 30+ Woodgrain Colors
- 70+ Solid and Custom Colors



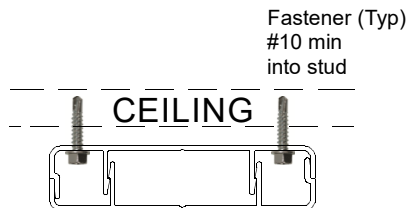
2 1/2" SELF MATING KESM6516



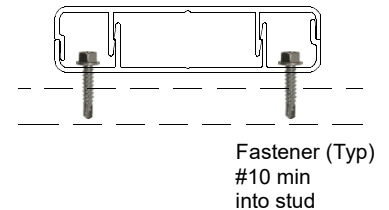
2 1/2" SELF MATING
ASSEMBLY



2 1/2" SELF MATING
WALL ASSEMBLY



2 1/2" SELF MATING
CEILING ASSEMBLY



2 1/2" SELF MATING
FLAT ASSEMBLY