

KNOTWOOD™ CLADDING SYSTEM

PROFILE **KECTJM** **TOP JOINER**



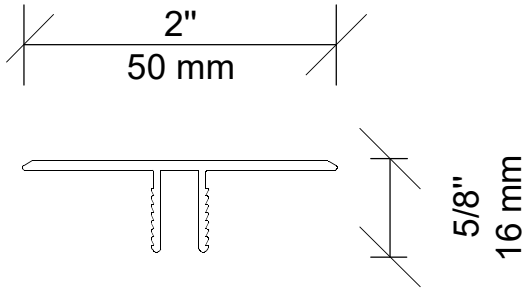
Top Joiner KECTJM (Stock Item)

SPECIFICATIONS

Imperial Size:	2" x 5/8" x 18'6"
Metric Size:	50mm x 16mm x 5650mm
Material Thickness:	1.8mm
Uses:	For siding joints greater than 37" When changing direction of siding To create a panelized look
Weight per Piece:	3.61 LBS / 1.64KG
Weight /Linear Foot:	0.20 LBS / 0.09KG
Case Quantity:	100 Pieces

FEATURES

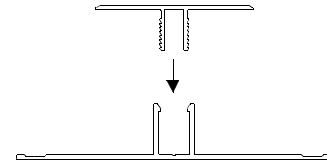
- 18'6" / 5650mm Long
- Covering siding butt joints
- Creating Panelized Look
- Changing siding direction
- 2 part Assembly, Male and Female
- Fastening every 22" or less
- 30+ Woodgrain Colors
- 70+ Solid and Custom Colors



Top Joiner KECTJM is always used with the Joiner Base KECJBF.

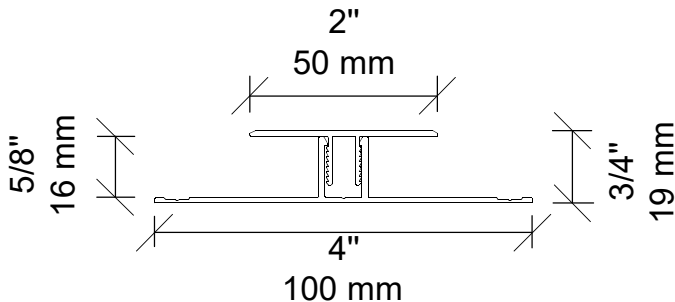
KECTJM
TOP JOINER

Top Joiner (Male) KECTJM

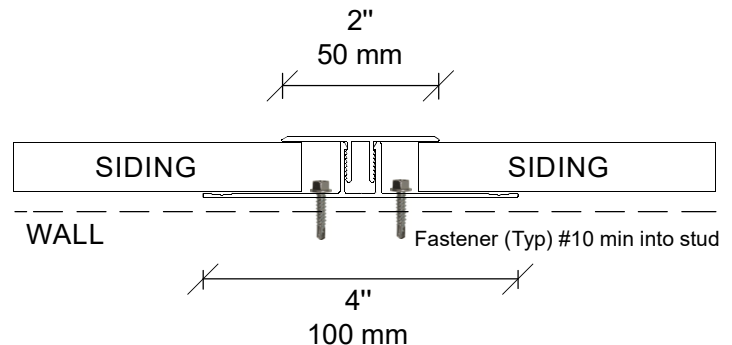


Top Joiner Base (Female) KECJBF

TOP JOINER & BASE
ASSEMBLY



TOP JOINER & BASE
ASSEMBLED



Joiner is used on mitred corners or if changing direction of cladding. Also used to cap end of cladding when more than 2 lengths are butt jointed.

JOINER, BASE, CLADDING ASSEMBLY