

KNOTWOOD™ CLADDING SYSTEM

PROFILE **KECJBF** **TOP JOINER BASE**



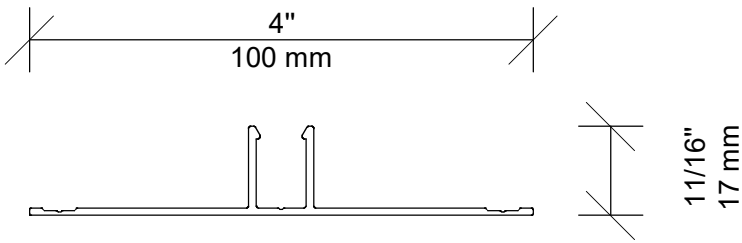
Top Joiner Base KECJBF (Stock Item)

SPECIFICATIONS

Imperial Size:	4" x 5/8" x 18'6"
Metric Size:	100mm x 16mm x 5650mm
Material Thickness:	1.8mm
Uses:	For cladding joints greater than 37' When changing direction of cladding To create a panelized look
Weight per Piece:	6.56 LBS / 2.98KG
Weight /Linear Foot:	0.37 LBS / 0.17KG
Case Quantity:	100 Pieces

FEATURES

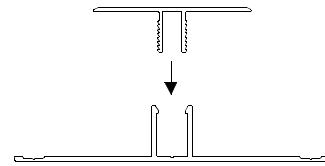
18'6" / 5650mm Long
Covering cladding butt joints
Creating Panelized Look
Changing cladding direction
2 part Assembly, Male and Female
Fastening every 22" or less
Mill finish only



Joiner Base KECJBF is always used with the Top Joiner KECTJM.

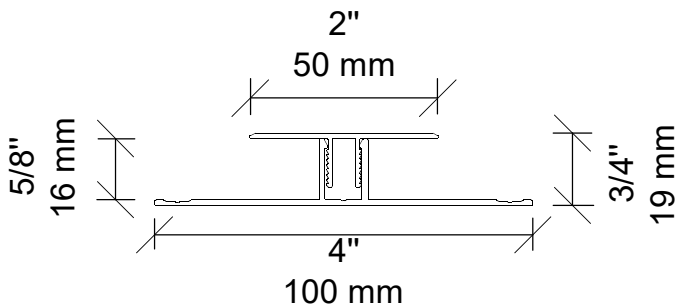
KECJBF
TOP JOINER BASE

Top Joiner (Male) KECTJM

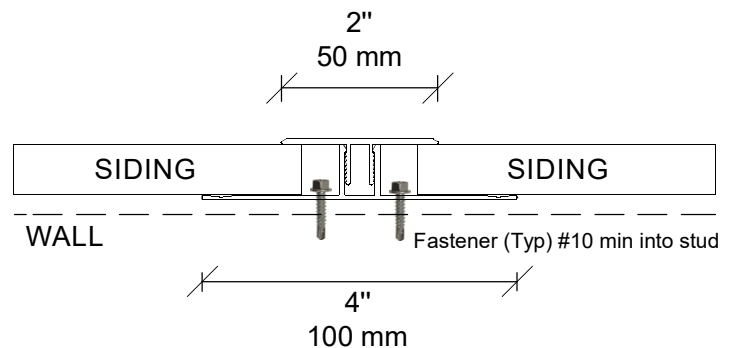


Top Joiner Base (Female) KECJBF

TOP JOINER & BASE
ASSEMBLY



TOP JOINER & BASE
ASSEMBLED



Joiner is used on mitred corners or if changing direction of cladding. Also used to cap end of cladding when more than 2 lengths are butt jointed.

JOINER, BASE, CLADDING ASSEMBLY



CONTACT INFORMATION
30 Technology Pkwy S.
Suite 400/ Suite 600
Peachtree Corners, GA 30092

1 855 566 8966
WWW.KNOTWOOD.COM
knotwoodinfo@omnimax.com