

KNOTWOOD™ CLADDING SYSTEM

PROFILE

KECIECLM MALE CORNER



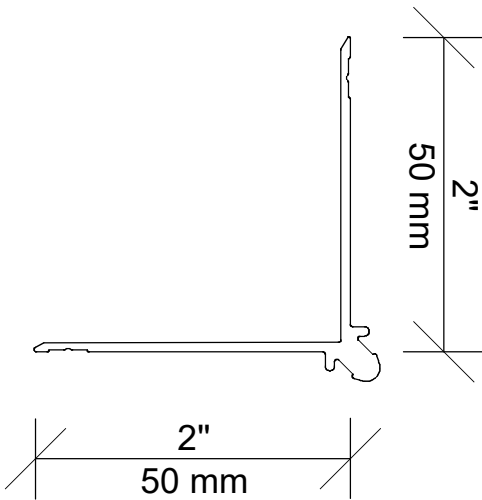
Male Corner KECIECLM (Stock Item)

SPECIFICATIONS

Imperial Size:	2" x 2" x 18'6"
Metric Size:	50mm x 50mm x 5650mm
Material Thickness:	1.8mm
Uses:	All Inside and outside corners on walls and between wall and soffit
Weight per Piece:	6.20 LBS / 2.81KG
Weight /Linear Foot:	0.35 LBS / 0.16KG
Case Quantity:	70 Pieces

FEATURES

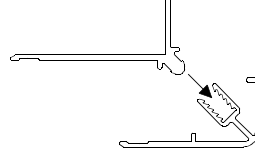
18'6" / 5650mm Long
For Inside and Outside Corners
2 part Assembly
Male and Female
Fastening every 22" or less
30+ Woodgrain Colors
70+ Solid and Custom Colors



Female Corner KECIECF is always used with the Male Corner KECIECLM.

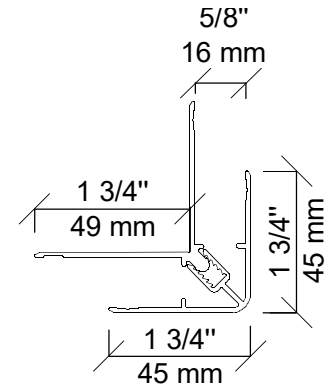
KECIECLM
MALE CORNER

Male Corner
KECIECLM



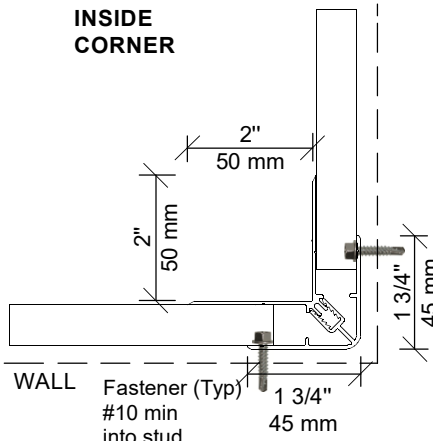
Female Corner
KECIECF

MALE AND FEMALE CORNER
ASSEMBLY



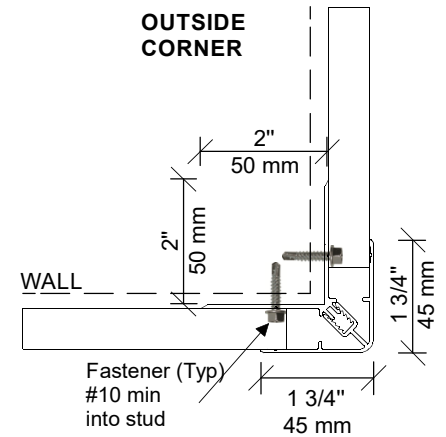
MALE AND FEMALE CORNER
ASSEMBLED

INSIDE
CORNER



INSIDE CORNER ASSEMBLY

OUTSIDE
CORNER



OUTSIDE CORNER ASSEMBLY