

# KNOTWOOD™ CLADDING SYSTEM

## PROFILE **KECIECF** **FEMALE CORNER**



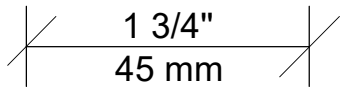
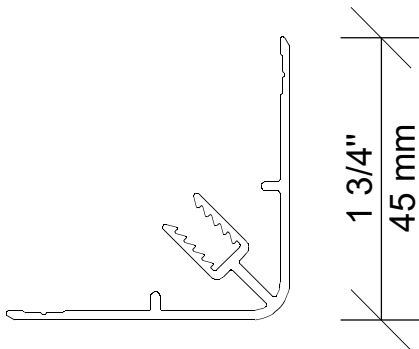
### Female Corner KECIECF (Stock Item)

#### SPECIFICATIONS

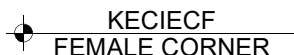
Imperial Size:	1 3/4" x 1 3/4" x 18'6"
Metric Size:	45mm x 45mm x 5650mm
Material Thickness:	1.8mm
Uses:	All Inside and outside corners on walls and between wall and soffit
Weight per Piece:	6.20 LBS / 2.81KG
Weight /Linear Foot:	0.35 LBS / 0.16KG
Case Quantity:	70 Pieces

#### FEATURES

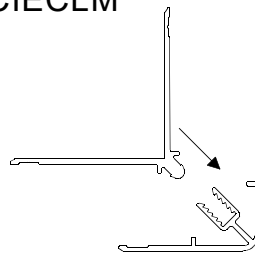
18'6" / 5650mm Long  
For Inside and Outside Corners  
2 part Assembly  
Male and Female  
Fastening every 22" or less  
30+ Woodgrain Colors  
70+ Solid and Custom Colors



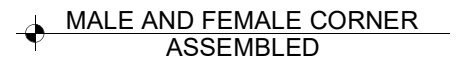
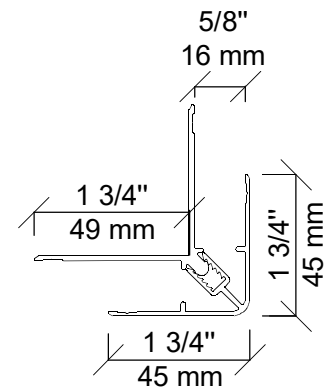
Female Corner KECIECF is always used with the Male Corner KECIECLM.



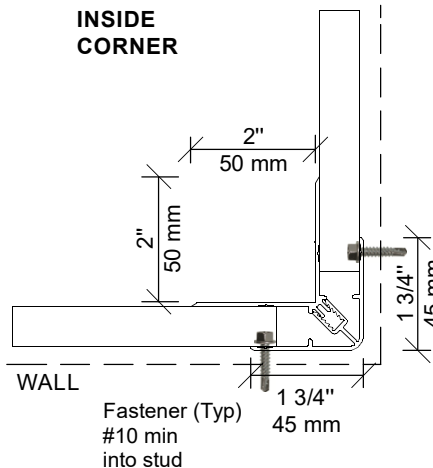
#### Male Corner KECIECLM



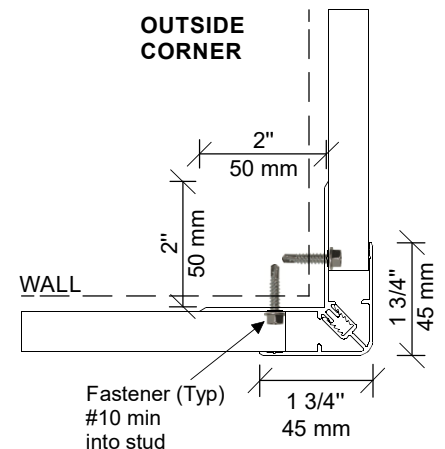
#### Female Corner KECIECF



#### INSIDE CORNER



#### OUTSIDE CORNER



CONTACT INFORMATION  
30 Technology Pkwy S.  
Suite 400/ Suite 600  
Peachtree Corners, GA 30092

**1 855 566 8966**  
**WWW.KNOTWOOD.COM**  
knotwoodinfo@omnimax.com