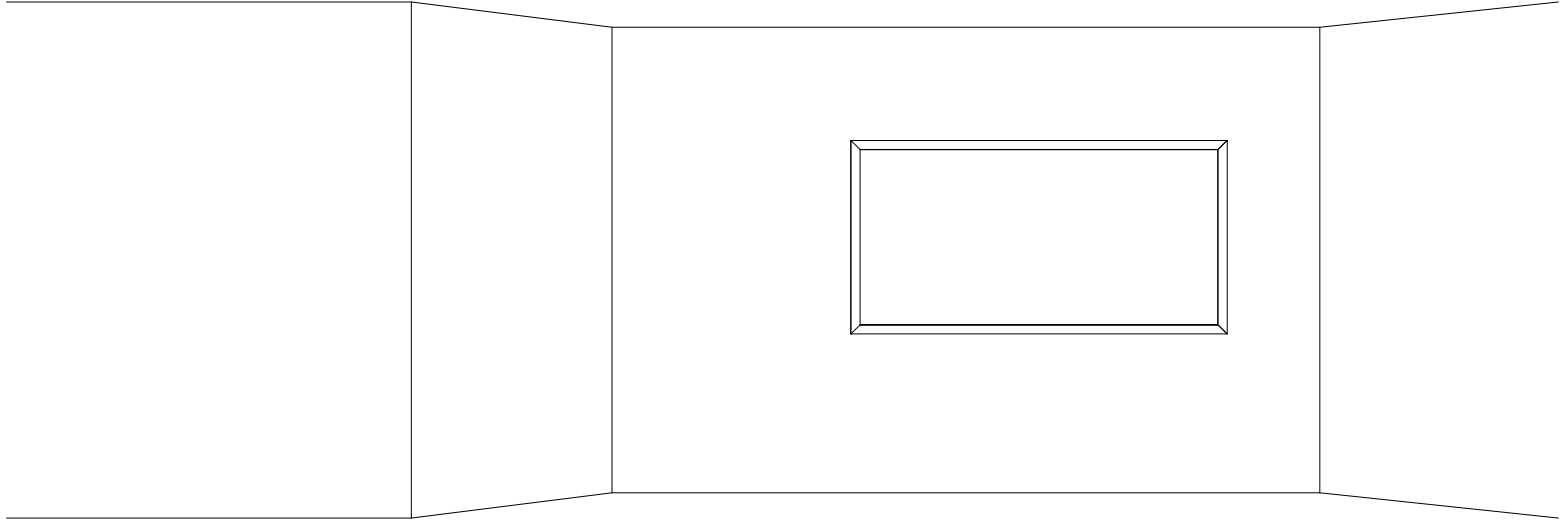


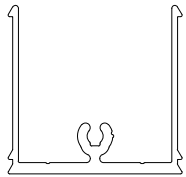
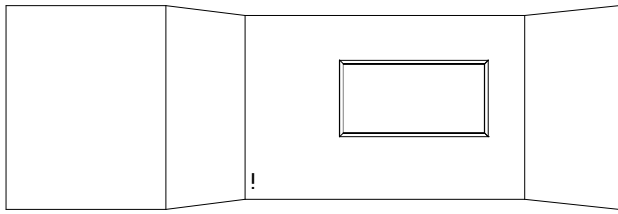
**KNOTWOOD**<sup>TM</sup>  
Stunning Aluminium

# Clip Battens

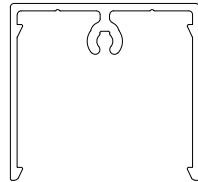
Window Hood



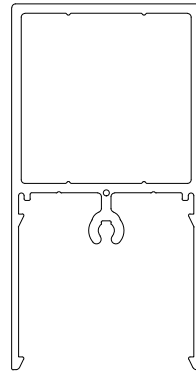




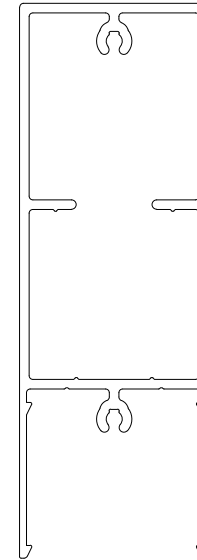
**KEB5050M**  
2P Batten Bracket  
50 x 50mm (M)



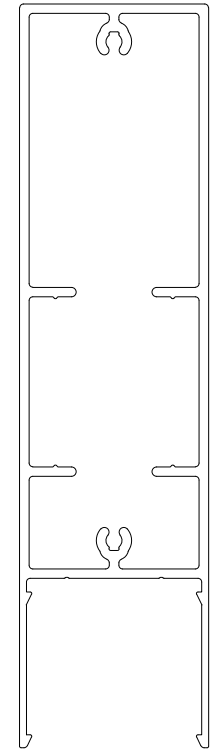
**KEB5050F**  
2P Batten  
50 x 50mm (F)



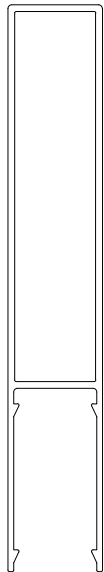
**KEB50100F**  
2P Batten  
50 x 100mm (F)



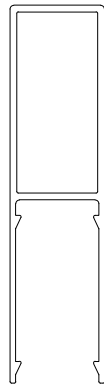
**KEB50150F**  
2P Batten  
50 x 150mm (F)



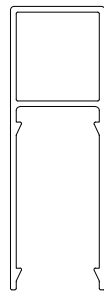
**KEB50200F**  
2P Batten  
50 x 200mm (F)



**KEB25150F**  
2P Batten  
25 x 150mm (F)



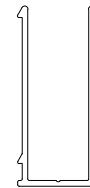
**KEB25100F**  
2P Batten  
25 x 100mm (F)



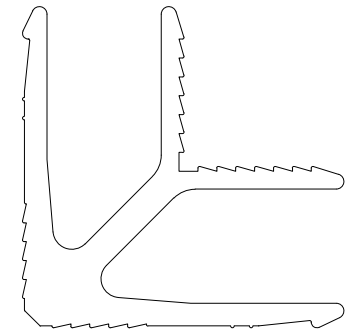
**KEB2575F**  
2P Batten  
25 x 75mm (F)



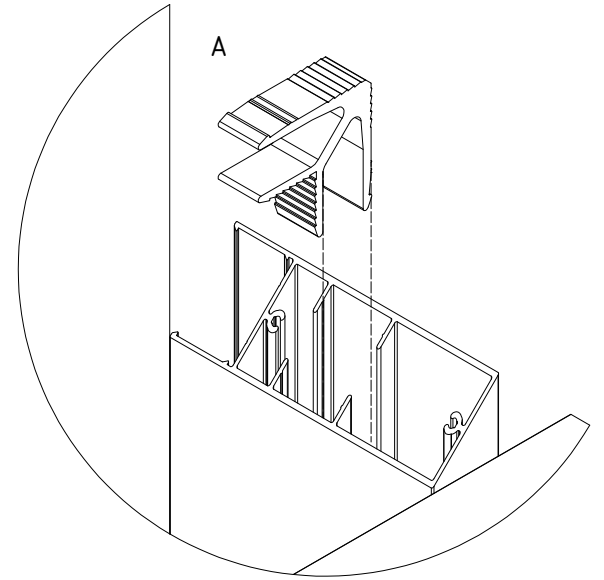
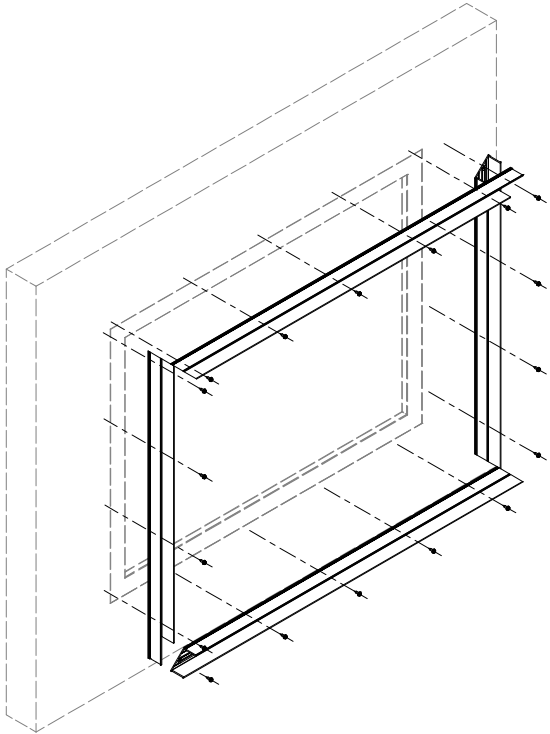
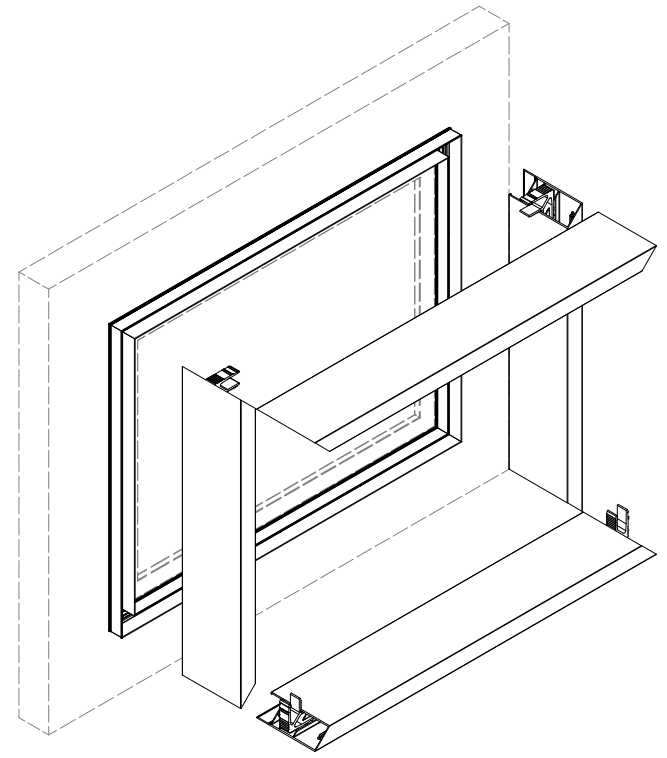
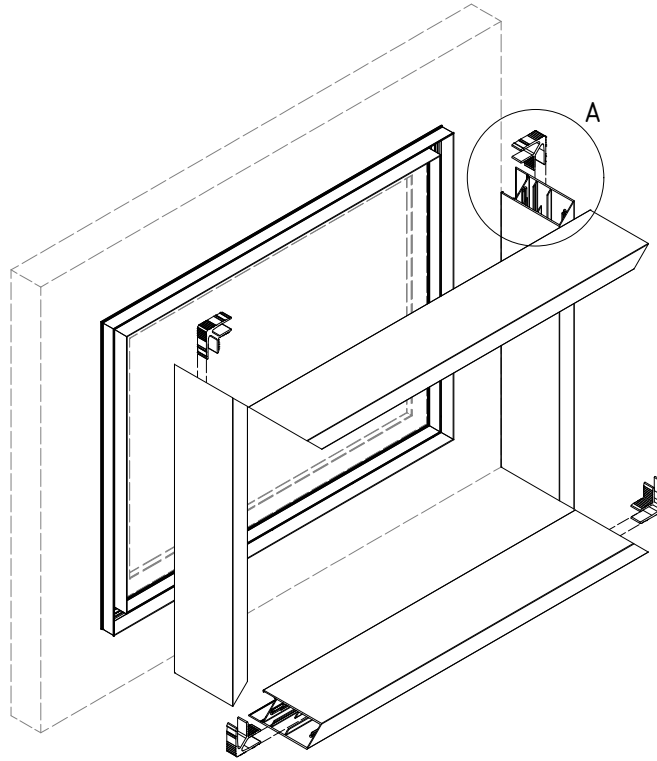
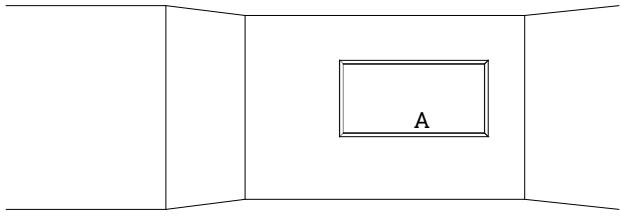
**KEB2550F**  
2P Batten  
25 x 50mm (F)

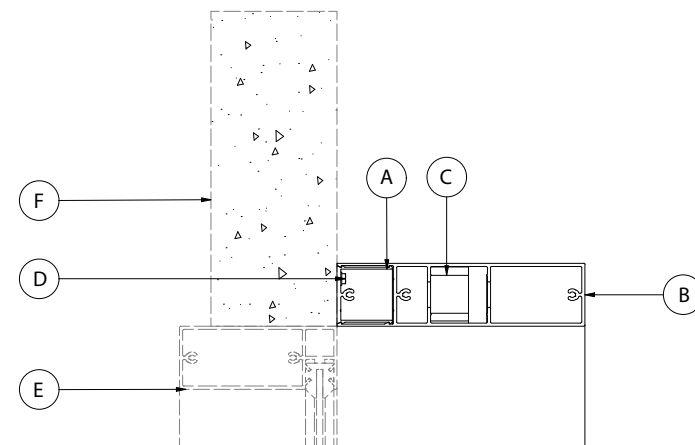
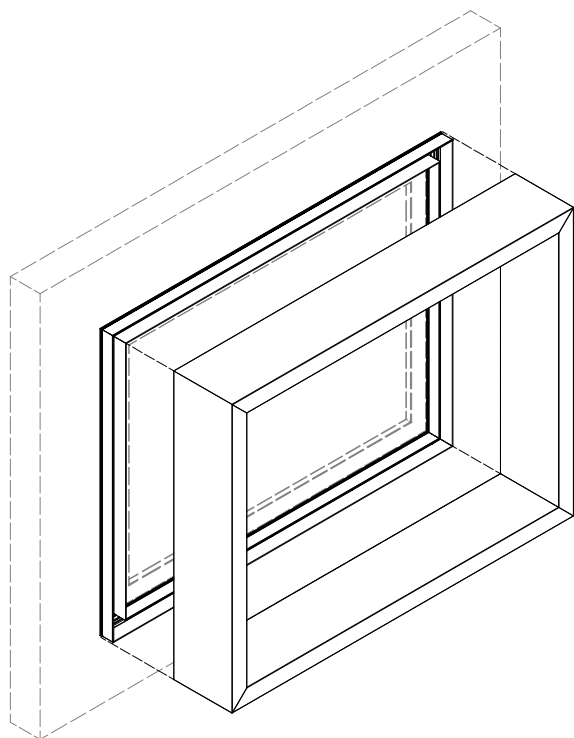
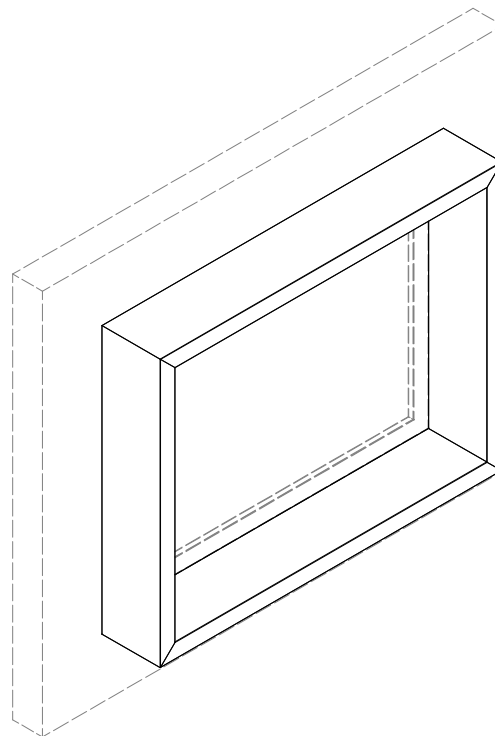
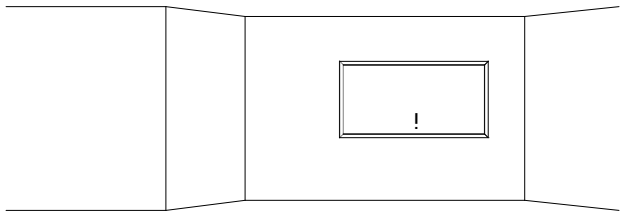


**KEB2550M**  
2P Batten Bracket  
25 x 50mm (M)

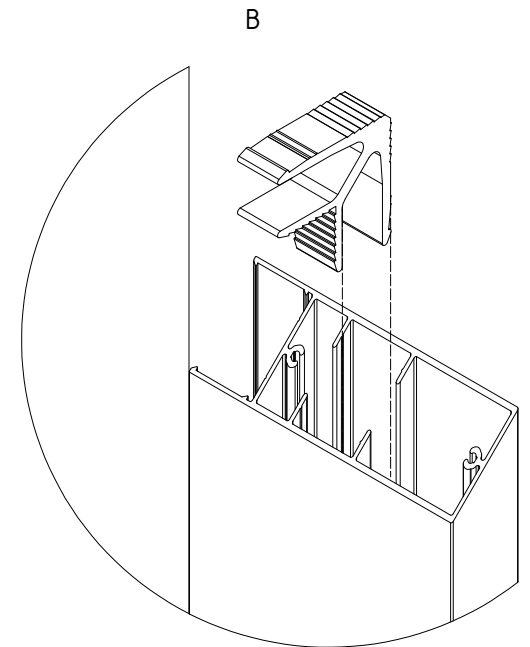
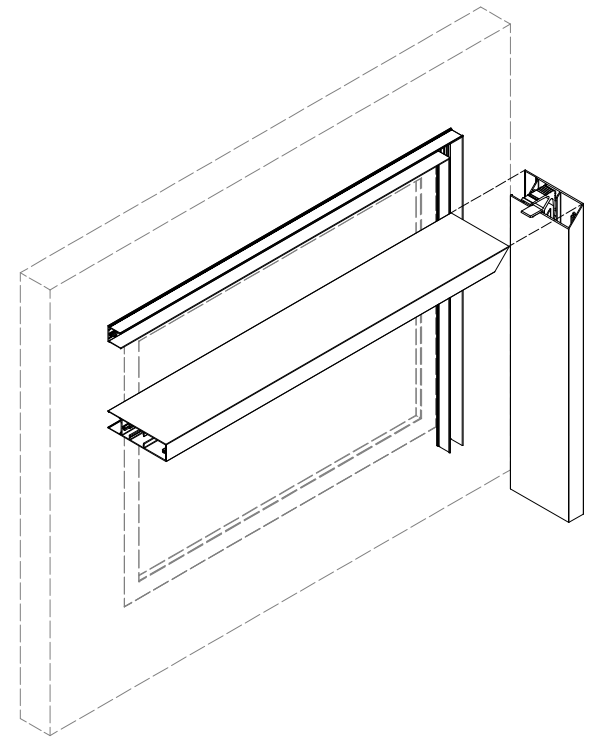
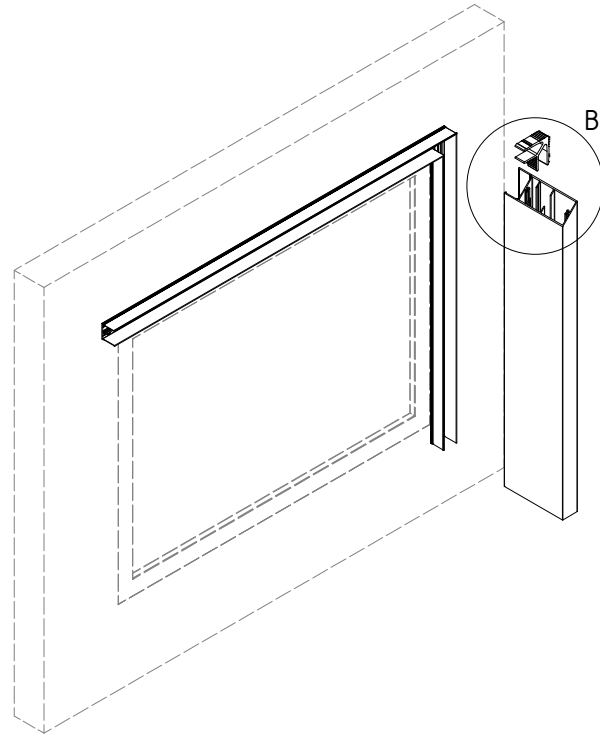
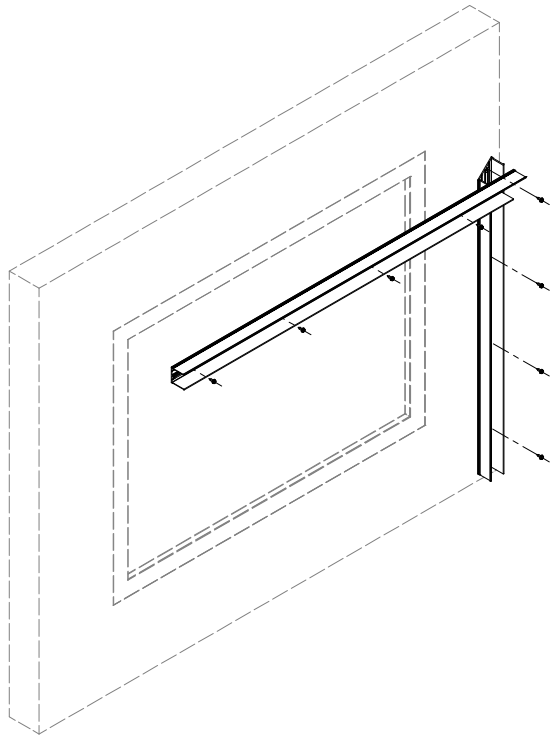
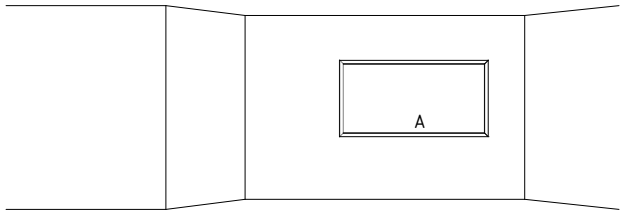


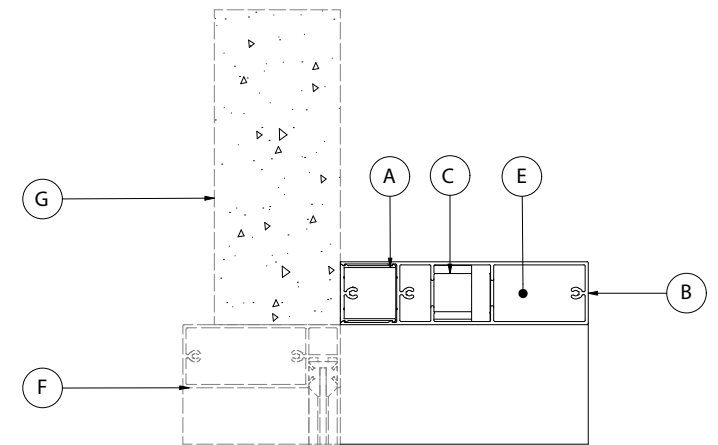
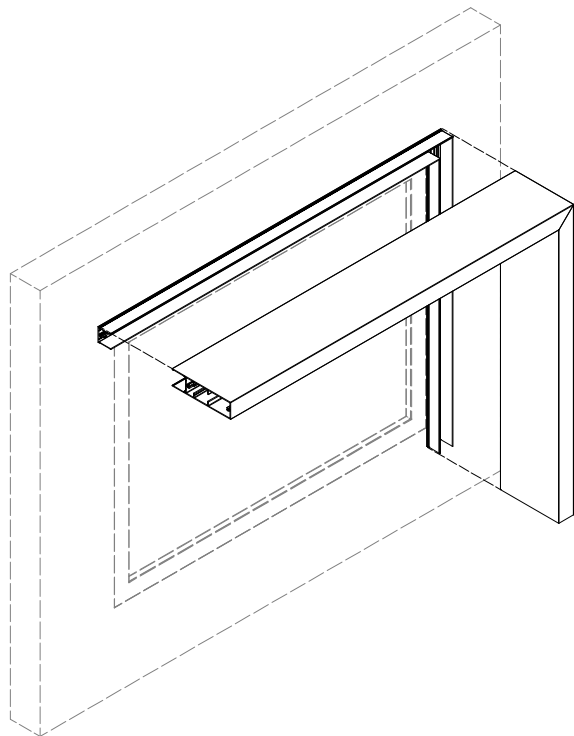
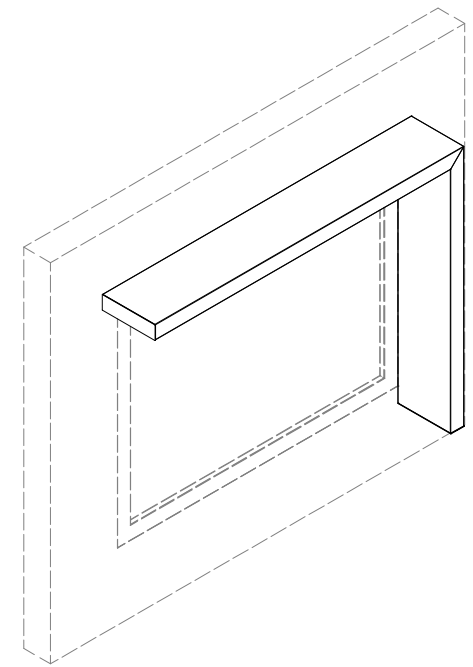
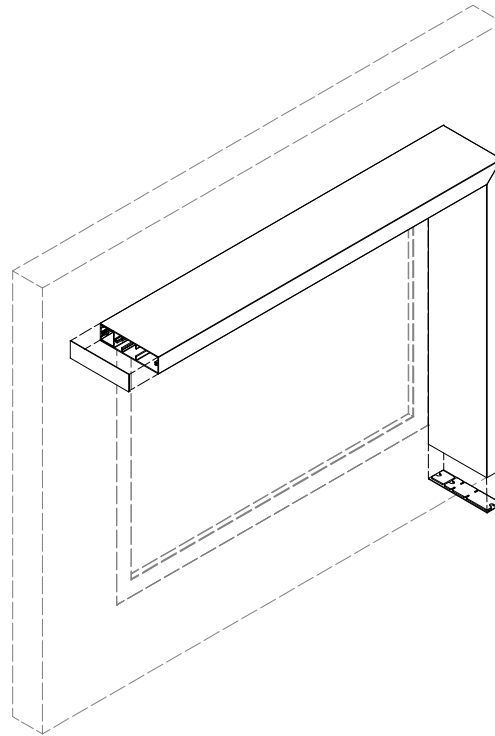
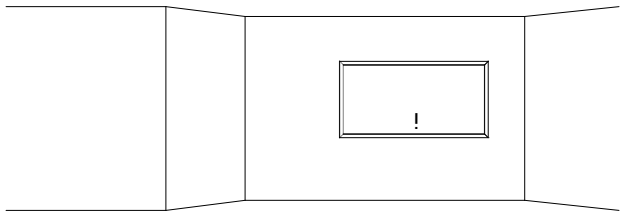
**KAGCS**  
Corner Stake  
85mm





- A. KEB5050M
- B. KEB50200F
- C. KAGCS
- D. Screw
- E. Window Frame (by other)
- F. Building Substructure (by other)





- A. KEB5050M
- B. KEB50200F
- C. KAGCS
- D. Screw
- E. End Cap
- F. Window Frame (by other)
- G. Building Substructure (by other)

# **KNOTWOOD**<sup>TM</sup>

Stunning Aluminium

## **KNOTWOOD AUS**

[sales@knotwood.com.au](mailto:sales@knotwood.com.au)

1 300 566 896

7/63 Burnside Road,  
Stapylton, QLD 4207 Australia

## **KNOTWOOD USA**

[sales@knotwood.com](mailto:sales@knotwood.com)

602 313 1641

5555 West Roosevelt Street Suite,  
400 Phoenix, AZ 85043 United States

## **KNOTWOOD UK**

[sales@knotwood.co.uk](mailto:sales@knotwood.co.uk)

0800 131 3165

Unit 44, 45 Wolston Croft,  
Northwich CW8 4DL, United Kingdom

---