



Garage Doors
Application Guide.



Function to Feature.

Knotwood Garage Door Systems combine precision aluminium profiles with rich woodgrain finishes to transform garage doors into a refined architectural feature.

Clip Battens

Panel Battens

Slats

Geoline

Flip Battens

Shadowline Boards

Castellated Boards

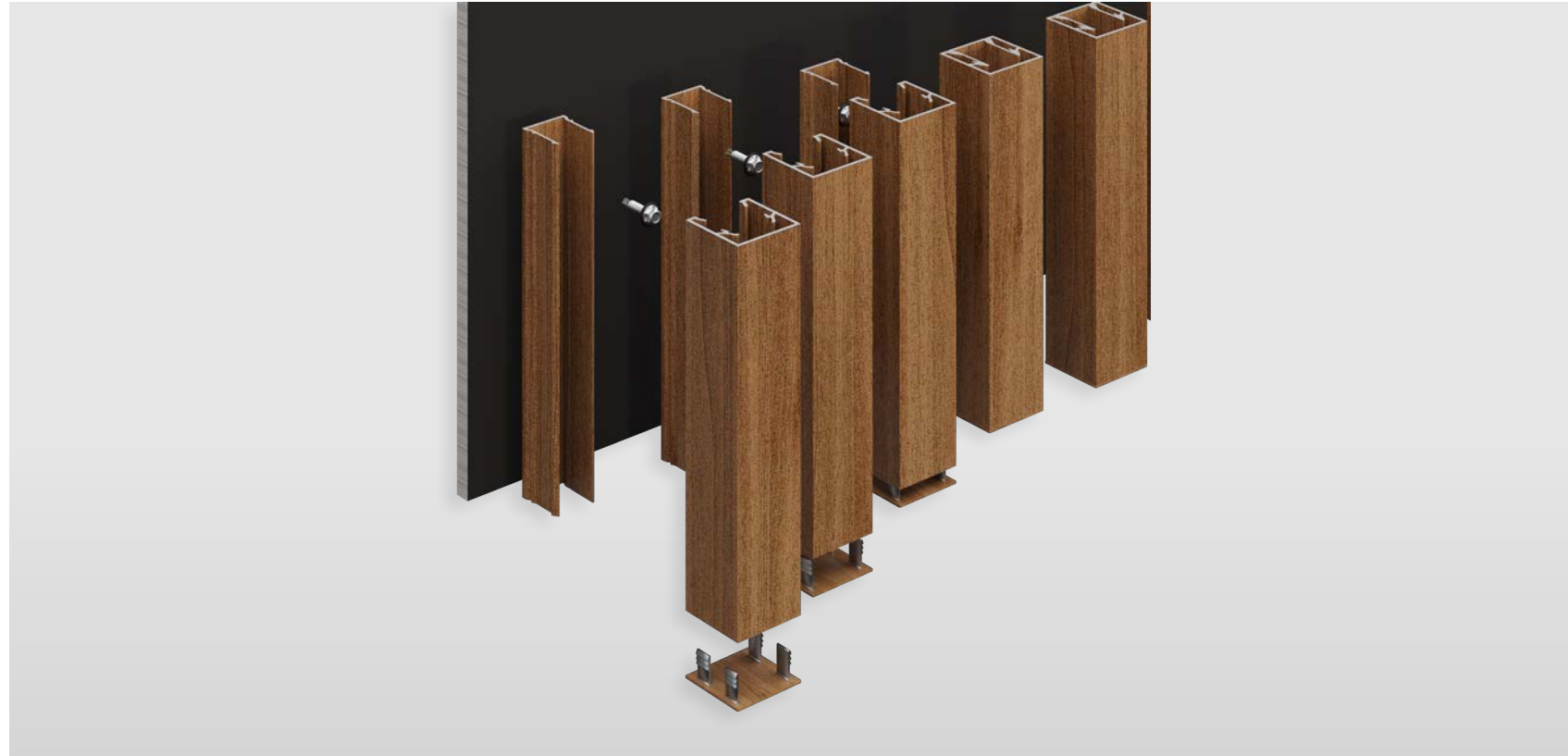
Case Study

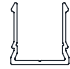
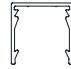
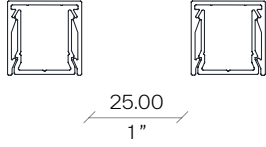
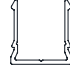
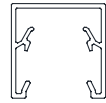
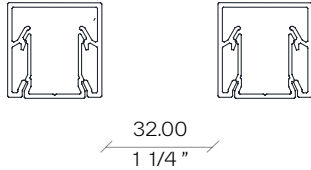

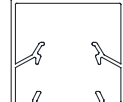
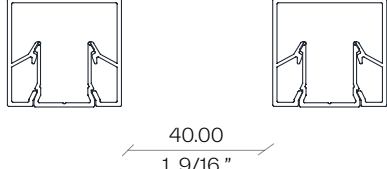


Toop.

25 x 50 battens, 40 x 40 battens & 50 x 100 battens
in White Ash

Clip Battens.





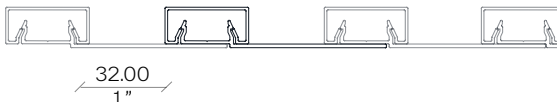








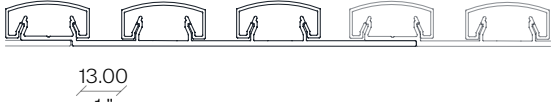
Bracket	Weight (mt)	Batten	Weight (mt)	Spacing	Weight (m2)
	0.252 KG / 1000 MM		0.367 KG / 1000 MM	 25.00 1"	12.380 KG/MT2
	0.252 KG / 1000 MM		0.530 KG / 1000 MM	 32.00 1 1/4"	12.512 KG/MT2
	0.252 KG / 1000 MM		0.691 KG / 1000 MM	 40.00 1 9/16"	12.259 KG/MT2

All products are manufactured and supplied in standard lengths of 6,500mm*
Indicated weights do not include Fixings or Accesories.**

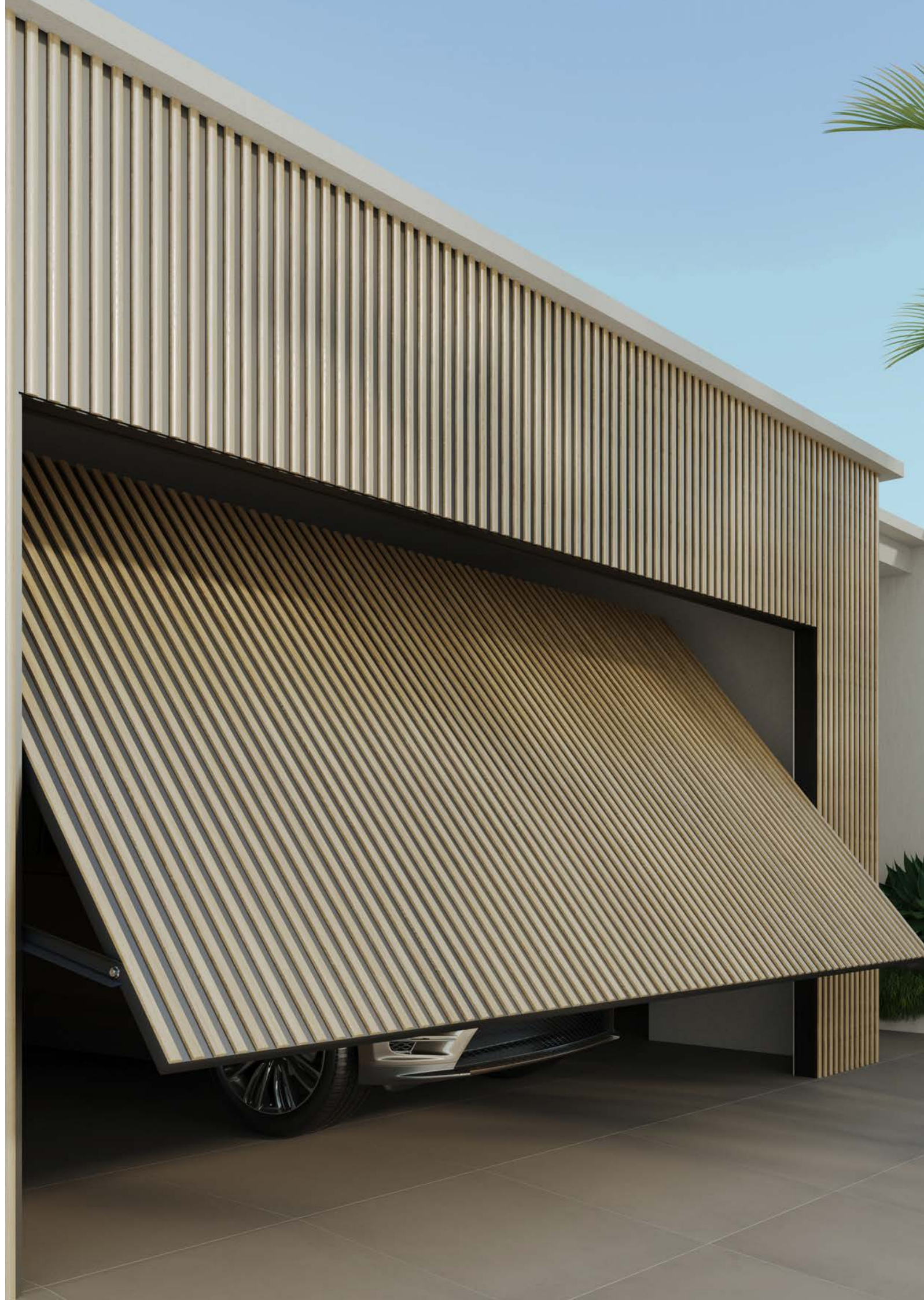


Panel Battens.




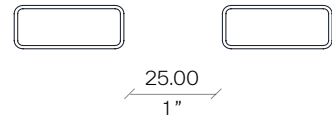

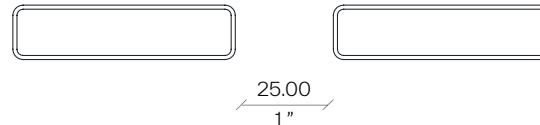
Bracket	Weight (mt)	Batten	Weight (mt)	Spacing	Weight (m2)
 Batten Panel - 1 Bracket 25 x 9mm (M)	0.393 KG / 1000 MM	 Batten 32 x 14mm (F)	0.237 KG / 1000 MM	 32.00 1"	9.980 KG/MT2
 Batten Panel - 1 Bracket 25 x 9mm (M)	0.393 KG / 1000 MM	 Dome Batten 32 x 14mm (F)	0.221 KG / 1000 MM	 32.00 1"	9.730 KG/MT2
 Batten Panel - 3 Bracket 25mm (M)	1 KG / 1000 MM	 Batten 32 x 14mm (F)	0.237 KG / 1000 MM	 13.00 1"	11.890 KG/MT2
 Batten Panel - 3 Bracket 25mm (M)	1 KG / 1000 MM	 Dome Batten 32 x 14mm (F)	0.221 KG / 1000 MM	 13.00 1"	12.480 KG/MT2

All products are manufactured and supplied in standard lengths of 6,500mm*
 Indicated weights do not include Fixings or Accesories.**

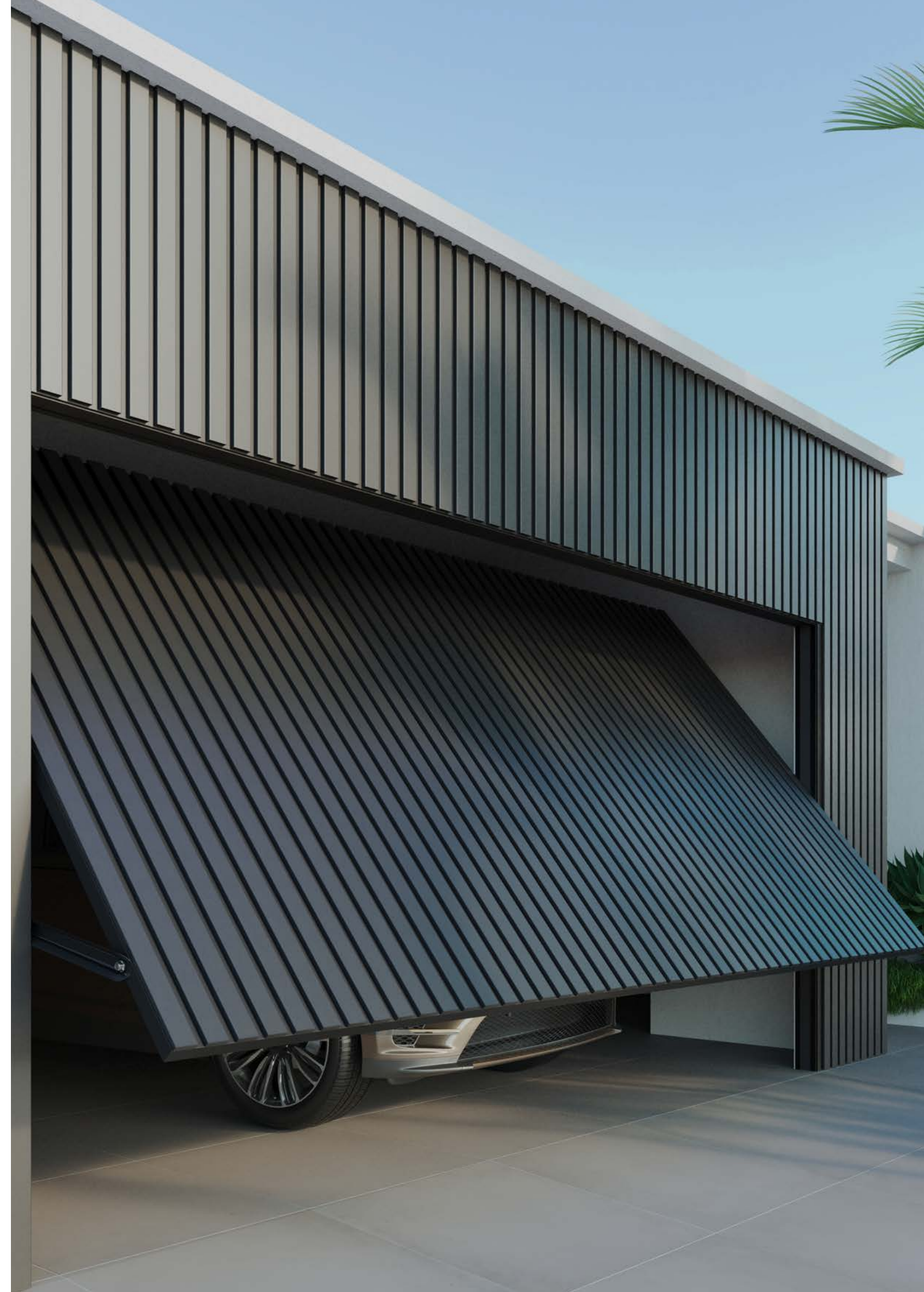


Slats.






Profiles	Weight (mt)	Spacing	Weight (m2)
 Geometric - Slat 38 x 16mm	0.321 KG / 1000 MM		5.136 KG/MT2
 Geometric - Slat 65 x 16mm	0.448 KG / 1000 MM		4.928 KG/MT2

All products are manufactured and supplied in standard lengths of 6,500mm*
 Indicated weights do not include Fixings or Accesories.**



Geoline.






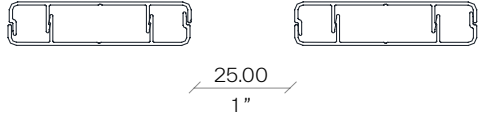
Profiles	Weight (mt)	Spacing	Weight (m2)
 Geometric - Square 25 x 25mm (1.6)	0.404 KG / 1000 MM		8.080 KG/MT2
 Geometric - Square 32 x 32mm (1.6)	0.524 KG / 1000 MM		8.384 KG/MT2
 Geometric - Square 40 x 40mm (1.6)	0.664 KG / 1000 MM		8.632 KG/MT2
 Geometric - Rectangle 50 x 25mm (1.6)	0.620 KG / 1000 MM		8.350 KG/MT2

All products are manufactured and supplied in standard lengths of 6,500mm*
 Indicated weights do not include Fixings or Accesories.**



Flip Battens.



Profiles	Weight (mt)	Spacing	Weight (m2)
 Flip Batten 38 x 16mm	0.244 KG / 1000 MM	 25.00 1"	7.808 KG/MT2
 Flip Batten 65 x 16mm	0.333 KG / 1000 MM	 25.00 1"	7.326 KG/MT2


All products are manufactured and supplied in standard lengths of 6,500mm*
 Indicated weights do not include Fixings or Accesories.**



Shadowline Boards.



Profiles	Weight (mt)	Weight (m2)	
----------	-------------	-------------	--

 Shadow Line Board 100mm	0.833 KG / 1000 MM	 8.09 KG/MT2	 8.33 KG/MT2
--	--------------------	--	--

 Shadow Line Board 150mm	1.073 KG / 1000 MM	 6.95 KG/MT2	 7.24 KG/MT2
--	--------------------	--	--

 Shadow Line Board 200mm	1.625 KG / 1000 MM	 7.96 KG/MT2	 8.13 KG/MT2
--	--------------------	--	--

Accessories			
-------------	--	--	--

 KEDS Starter - Planks & Cladding	 KECFF Base Trim - (F)	 KECFMS Cover Trim - Small - (M)	 KEGA202016 Standard Profile - L 20 x 20mm (1.6mm)
---	---	---	--

All products are manufactured and supplied in standard lengths of 6,500mm*
 Indicated weights do not include Fixings or Accesories.**



Castellated Boards.



Profiles	Weight (mt)	Weight (m2)
----------	-------------	-------------



Castellated Tab-Lock Board
150mm

1.136 KG / 1000 MM

7.370 KG/MT2

Accessories



KECTS
Tab-Lock - Starter



KECHF
Base Trim - (F)

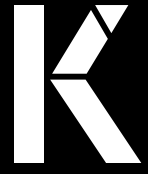


KECFMS
Cover Trim - Small - (M)



KEGA202016
Standard Profile - L
20 x 20mm (1.6mm)

All products are manufactured and supplied in standard lengths of 6,500mm*
Indicated weights do not include Fixings or Accessories.**



KNOTWOOD AUS

07.3382.6000
sales@knotwood.com.au

KNOTWOOD USA

1.855.566.8966
sales@knotwood.com

KNOTWOOD UK

44.800.131.3165
sales@knotwood.co.uk